

# AV RECEIVER

# RX-V467/HTR-4063

## SCHEMATIC DIAGRAMS

Each schematic diagram is divided into equal pieces to enable printout by conventional printers.

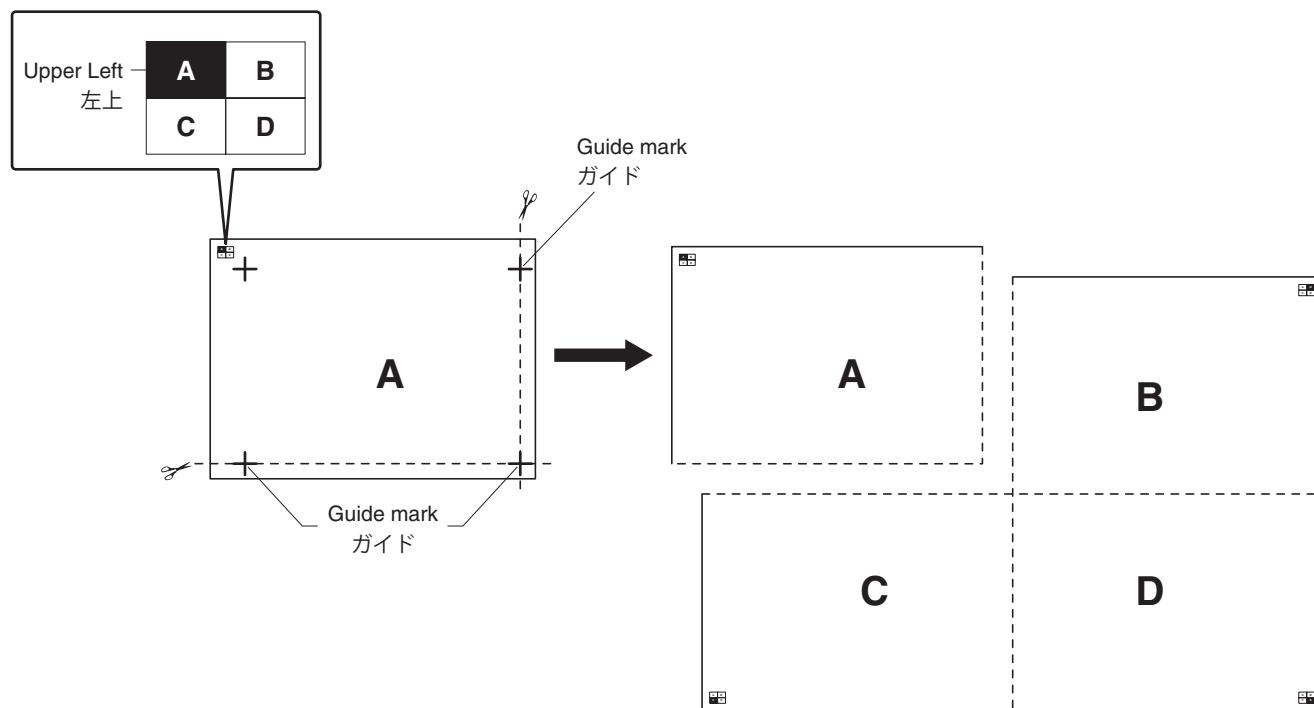
Cut along the guide marks and put them together.

Overall location of each schematic diagram is described by the following symbol.

各回路図は、一般的に使用されているプリンタで印刷できる大きさに分割されています。

印刷した各回路図を、ガイドに沿って切って貼り合わせてください。

各回路図の張り合わせ位置は以下の記号で表しています。

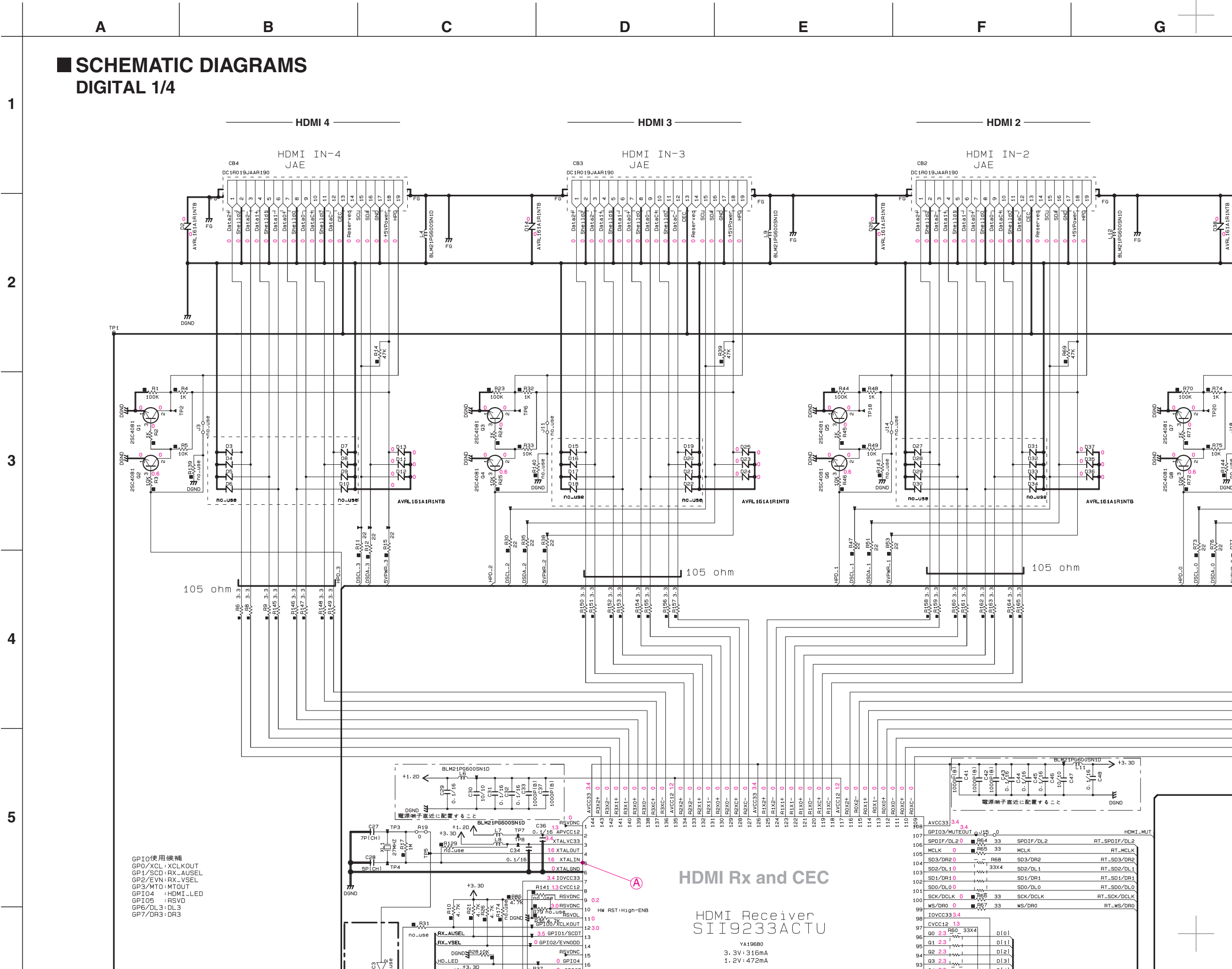


### ■ CONTENTS

#### SCHEMATIC DIAGRAMS

DIGITAL Board .....	93-96
OPERATION Board .....	97-98
MAIN Board .....	99-100
VIDEO Board .....	101-103

■ SCHEMATIC DIAGRAMS  
DIGITAL 1/4



GPIO使用候補  
GP0/XCL: XCLKOUT  
GP1/SCD: RX\_AUSEL  
GP2/EVN: RX\_VSEL  
GP3/MTD: MTDOUT  
GP104: HDMI\_LED  
GP105: RSVD  
GP6/DL3: DL3  
GP7/OR3: DR3

HDMI Rx and CEC

HDMI Receiver  
SII9233ACTU

Y4196B0  
3.3V: 316mA  
1.2V: 472mA

AVCC33	3.4	3.4		
GPIO3/MUTEGOUT	0	0	0	HDMI_MUT
SPDIF/DL2	0	33	33	RT_SPDIF/DL2
MCLK	0	33	33	RT_MCLK
SD3/DR2	0	R68	SD3/DR2	RT_SD3/DR2
SD2/DL1	0	33X4	SD2/DL1	RT_SD2/DL1
SD1/DR1	0	1	SD1/DR1	RT_SD1/DR1
SD0/DL0	0	1	SD0/DL0	RT_SD0/DL0
SCK/DCLK	0	R65	SCK/DCLK	RT_SCK/DCLK
WS/DRO	0	33	WS/DRO	RT_WS/DRO
IOVCC33	3.4			
CVCC12	1.3			
00	23	R60	33X4	D[0]
01	23			D[1]
02	23			D[2]
03	23			D[3]

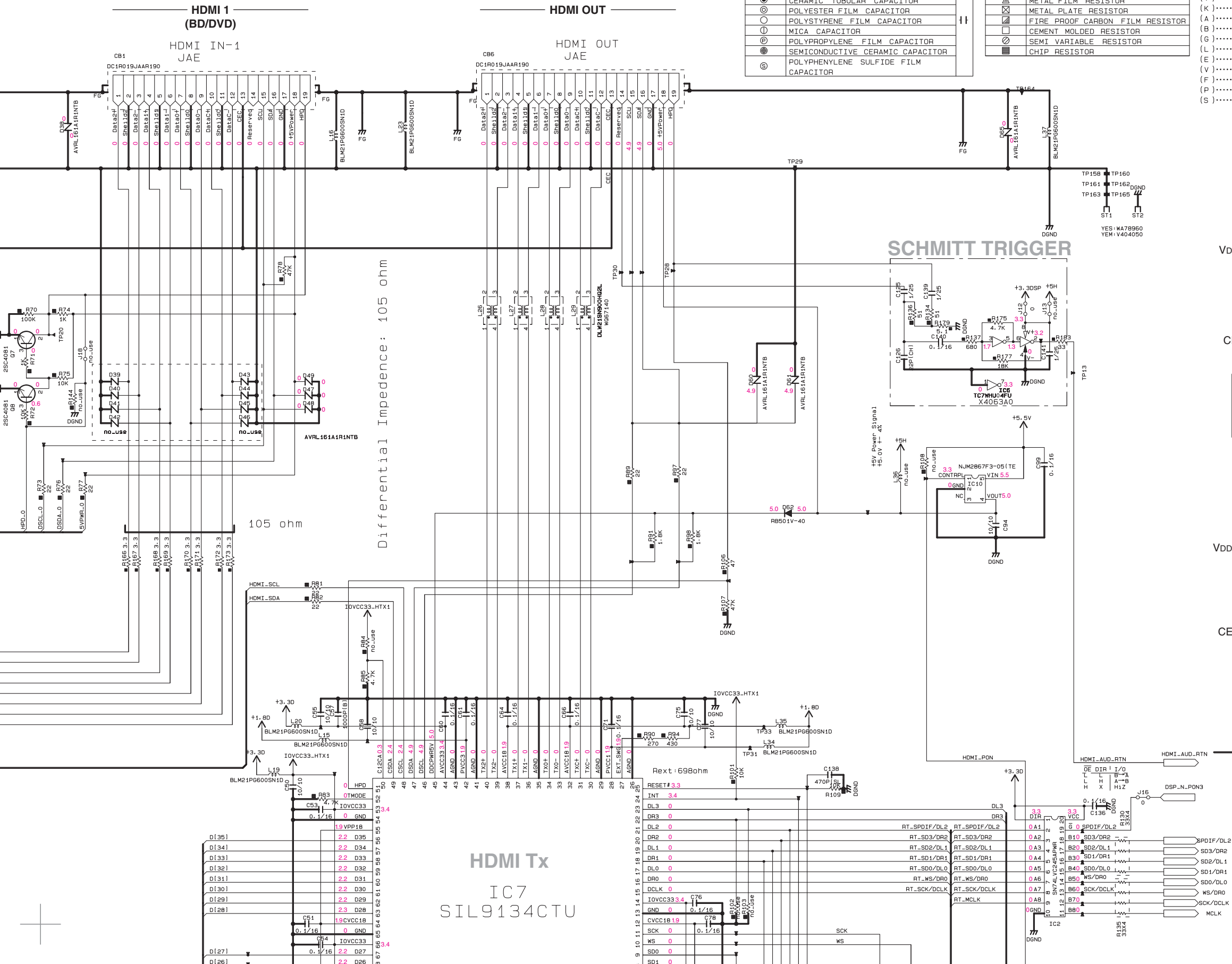
RX-V467/HTR-4063

CAPACITOR	
REMARKS	PARTS NAME
NO MARK	ELECTROLYTIC CAPACITOR
⊗	TANTALUM CAPACITOR
NO MARK	CERAMIC CAPACITOR
⊙	CERAMIC TUBULAR CAPACITOR
⊖	POLYESTER FILM CAPACITOR
○	POLYSTYRENE FILM CAPACITOR
Ⓜ	MICA CAPACITOR
⊕	POLYPROPYLENE FILM CAPACITOR
⊗	SEMICONDUCTIVE CERAMIC CAPACITOR
Ⓢ	POLYPHENYLENE SULFIDE FILM CAPACITOR

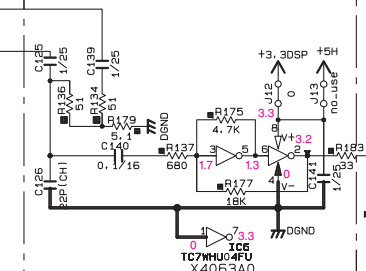
RESISTOR	
REMARKS	PARTS NAME
NO MARK	CARBON FILM RESISTOR (P=5)
⊠	CARBON FILM RESISTOR (P=10)
△	METAL OXIDE FILM RESISTOR
⊖	METAL FILM RESISTOR
⊠	METAL PLATE RESISTOR
⊠	FIRE PROOF CARBON FILM RESISTOR
⊠	CEMENT MOLDED RESISTOR
⊠	SEMI VARIABLE RESISTOR
⊠	CHIP RESISTOR

NOTICE (model)

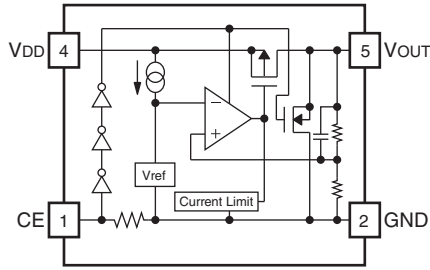
- (J)..... JAPAN
- (U)..... U. S. A
- (C)..... CANADA
- (R)..... GENERAL
- (T)..... CHINA
- (K)..... KOREA
- (A)..... AUSTRALIA
- (B)..... BRITISH
- (G)..... EUROPE
- (L)..... SINGAPORE
- (E)..... SOUTH EUROPE
- (V)..... TAIWAN
- (F)..... RUSSIAN
- (P)..... LATIN AMERICA
- (S)..... BRAZIL



SCHMITT TRIGGER

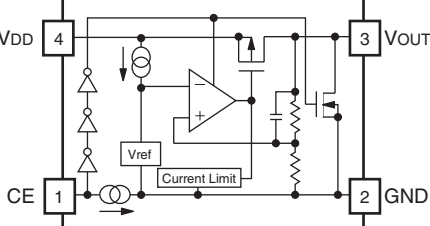


IC13: R1172H501D-T1-F Voltage regulator



Pin No.	Symbol	Description
1	CE	Chip Enable Pin ("H" Active)
2	GND	Ground Pin
3	NC	No Connection
4	VDD	Input Pin
5	VOUT	Output Pin

IC14: RP130Q501D-TR-F Voltage regulator

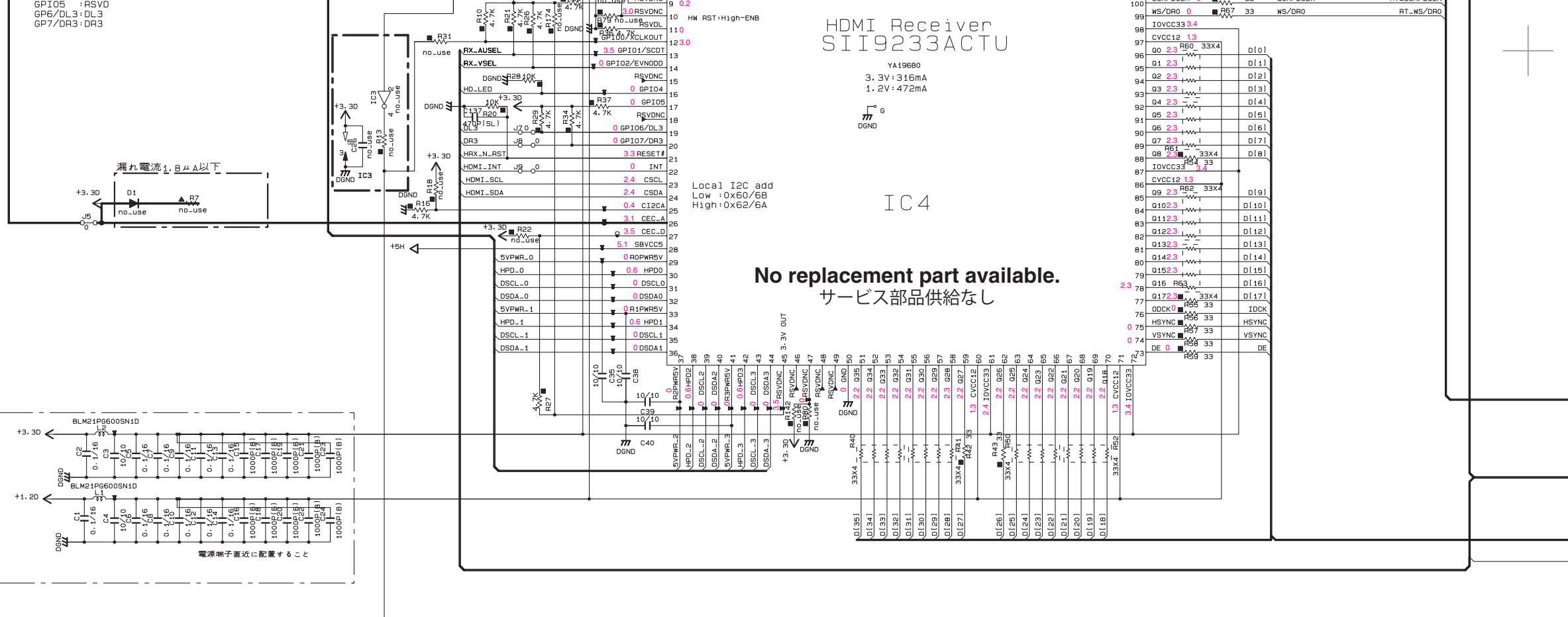


Pin No.	Symbol	Description
1	CE	Chip Enable Pin ("H" Active)
2	GND	Ground Pin
3	VOUT	Output Pin
4	VDD	Input Pin

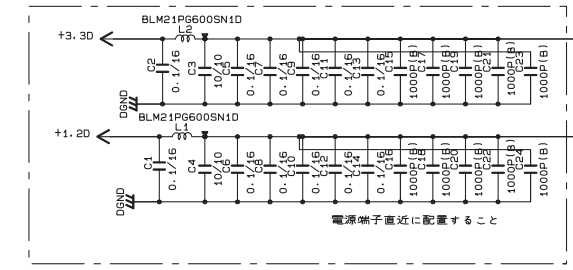
HDMI Tx IC7 SIL9134CTU

To 003\_Sht (DSP) To DIGITAL 3/4

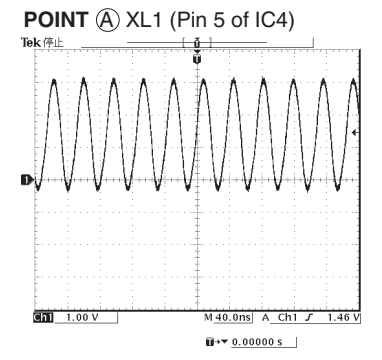
6



7

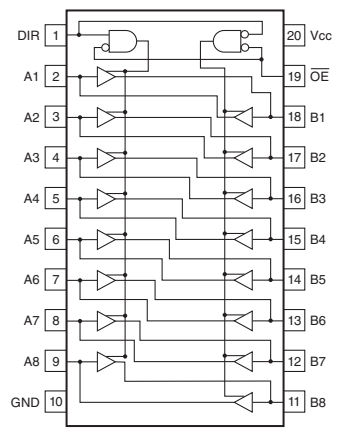


8

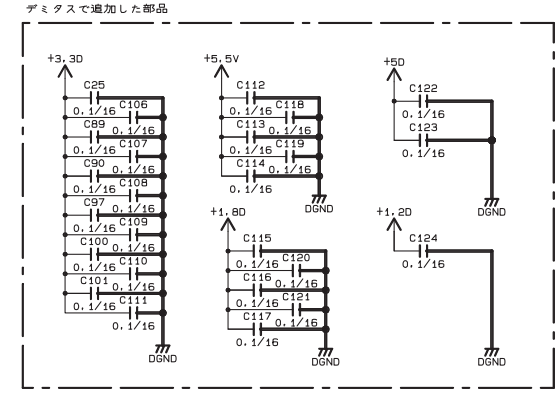
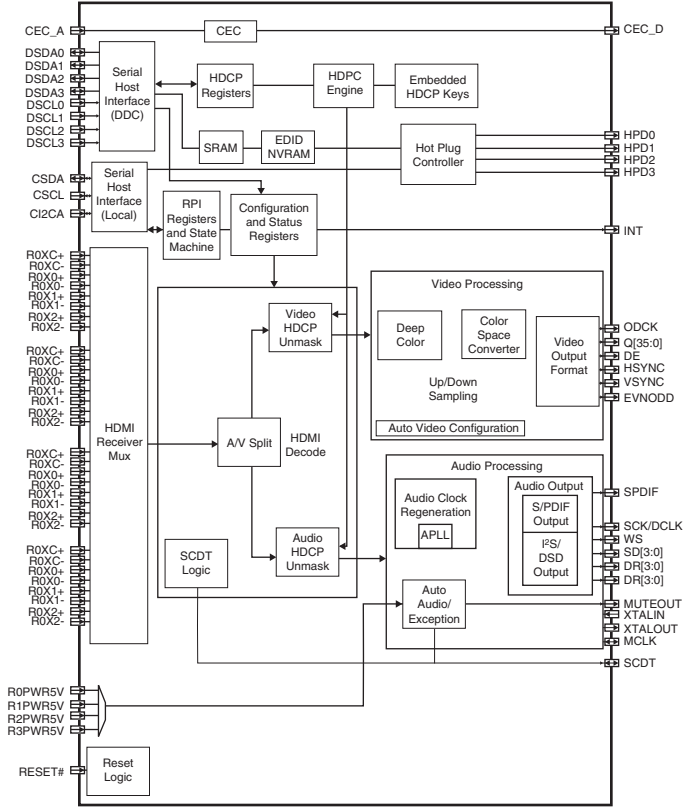


9

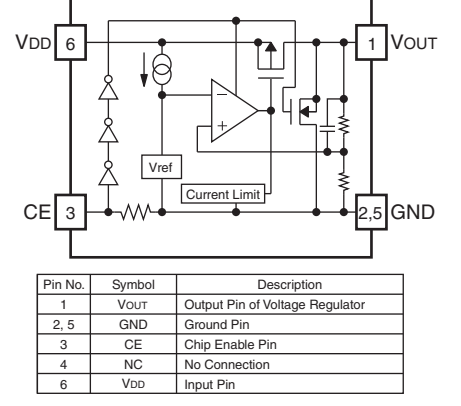
IC2: SN74LVC245APWR  
Octal bus transceivers with 3-state outputs



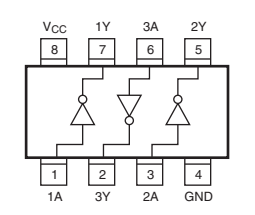
IC4: SiI9233ACTU  
HDMI receiver



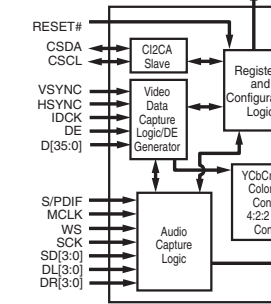
IC5: R1172S121D-E2-F  
Voltage regulator



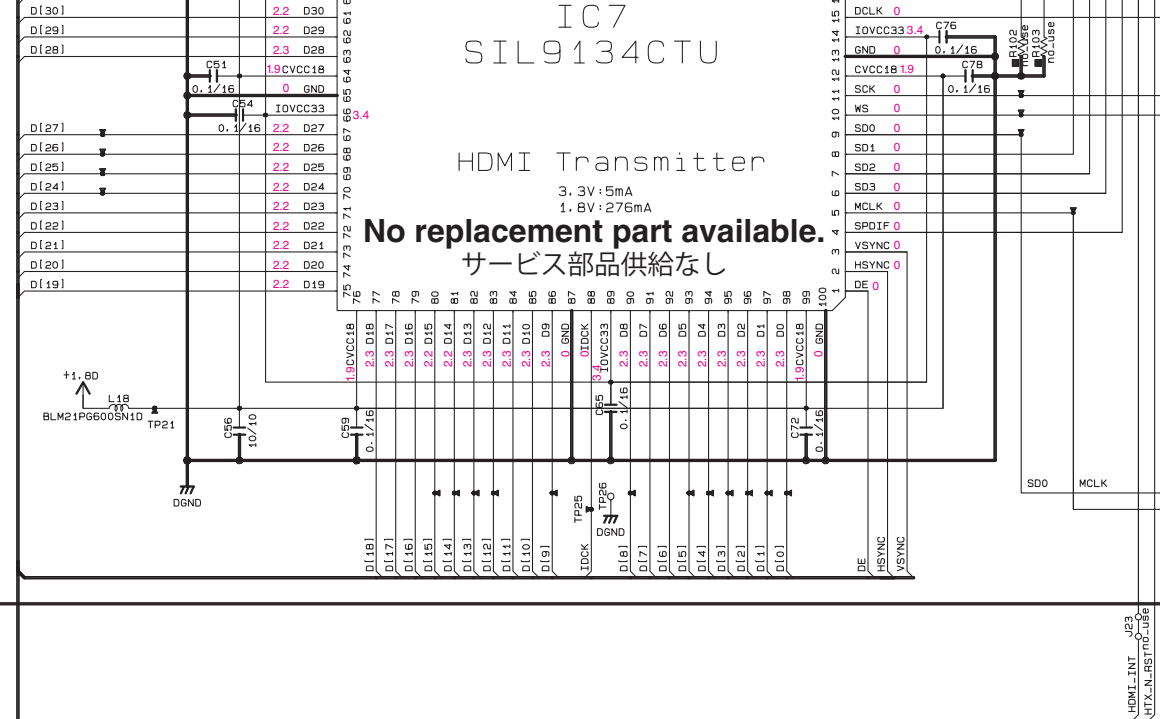
IC6: TC7WHU04FU  
Triple inverter



IC7: SiI9134CTU  
HDMI transmitter



10



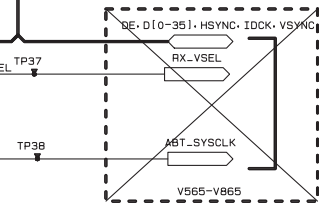
No replacement part available.  
サービス部品供給なし

SELECTOR

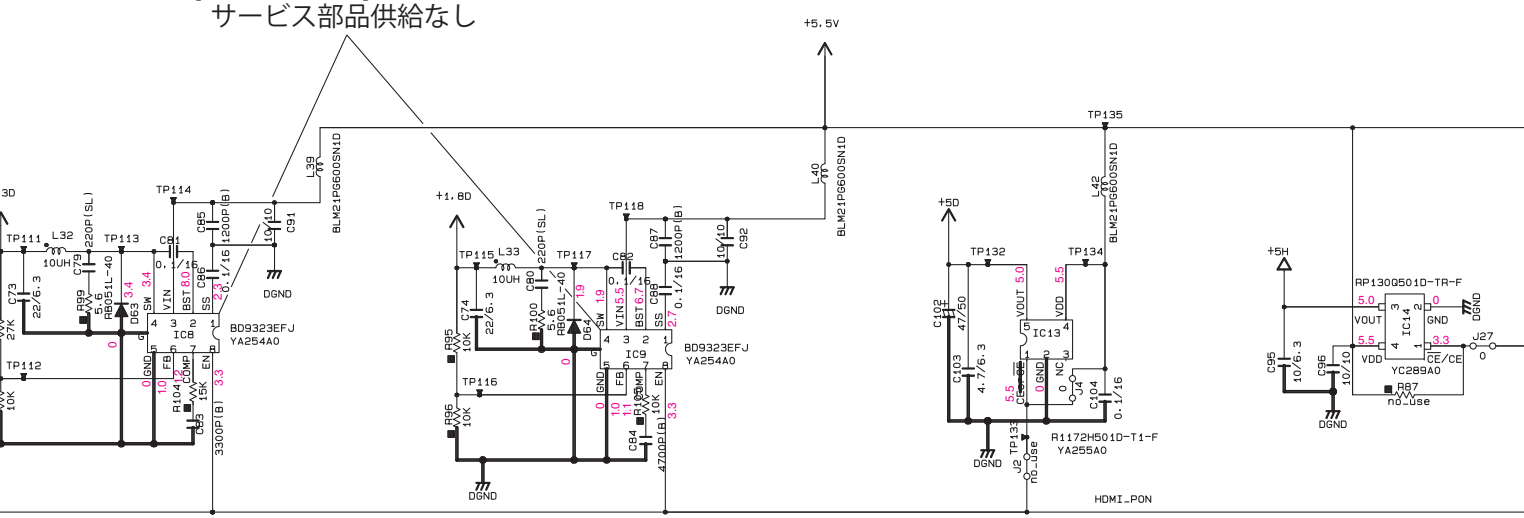
TC74VHC157FT

Vcc: 2.0 - 5.5V  
ViH: > 0.7\*Vcc  
ViL: < 0.3\*Vcc

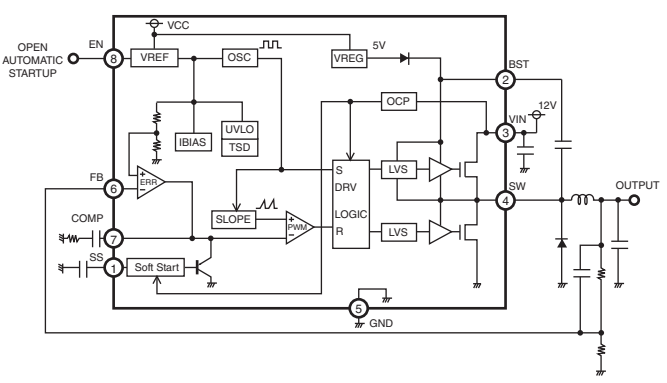
/ST	SEL	I	=	0
L	L	Y	=	A
L	H	Y	=	B
H	X	Y	=	HiZ



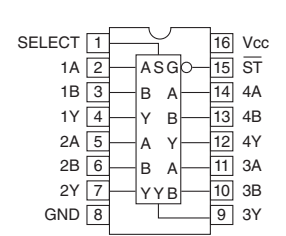
No replacement part available.  
サービス部品供給なし



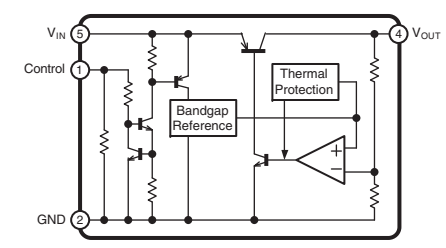
IC8, 9: BD9323EFJ-E2  
1-channel step down DC/DC converter



IC11: TC74VHC157FT  
Quad 2-channel multiplexer

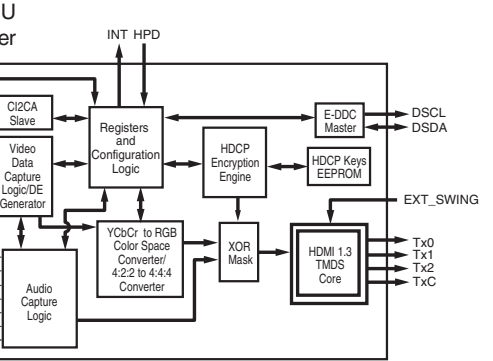


IC10: NJM2867F3-05 (TE1)  
Low dropout voltage regulator



- ★ All voltages are measured with a 10MΩ/V DC electronic voltmeter.
- ★ Components having special characteristics are marked Δ and must be replaced with parts having specifications equal to those originally installed.
- ★ Schematic diagram is subject to change without notice.

- 電圧は、内部抵抗 10MΩの電圧計で測定したものです。
- Δ印のある部品は、安全性確保部品を示しています。部品の交換が必要な場合、パーツリストに記載されている部品を使用してください。
- 本回路図は標準回路図です。改良のため予告なく変更することがあります。



Page 103 18  
to VIDEO (3)\_W3801

A	B
C	D



A	B
C	D

RX-V467/HTR-4063

DIGITAL 2/4

Page 97 H9  
to OPERATION (1)\_CB401

Page 99 K7  
to MAIN (5)\_CB157

Page 100 K8  
to MAIN (1)\_CB156

Page 103 I9  
to VIDEO (3)\_CB382

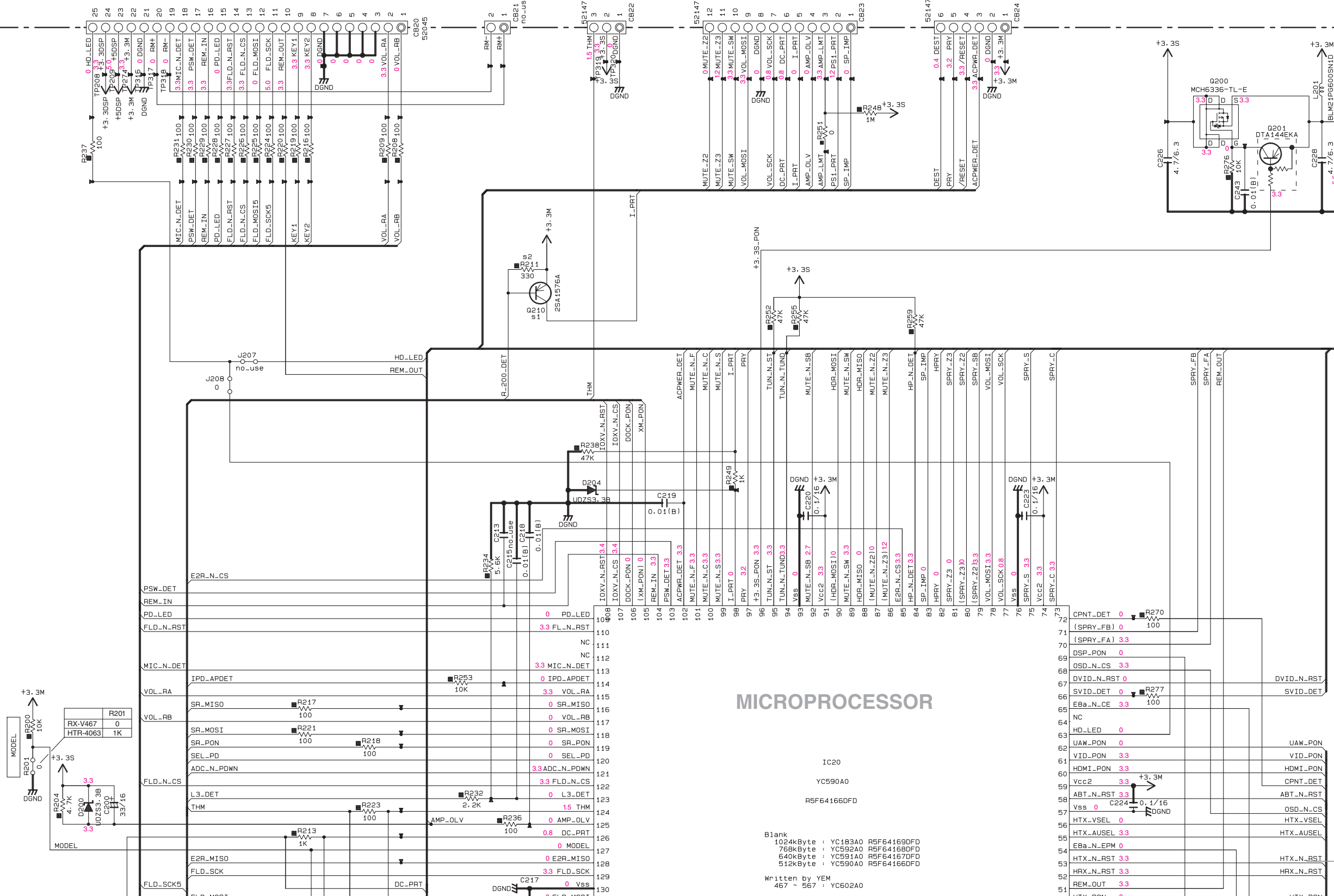
to OPE(1)

to RMT

to THM

to MAIN

to SUB TR



MICROPROCESSOR

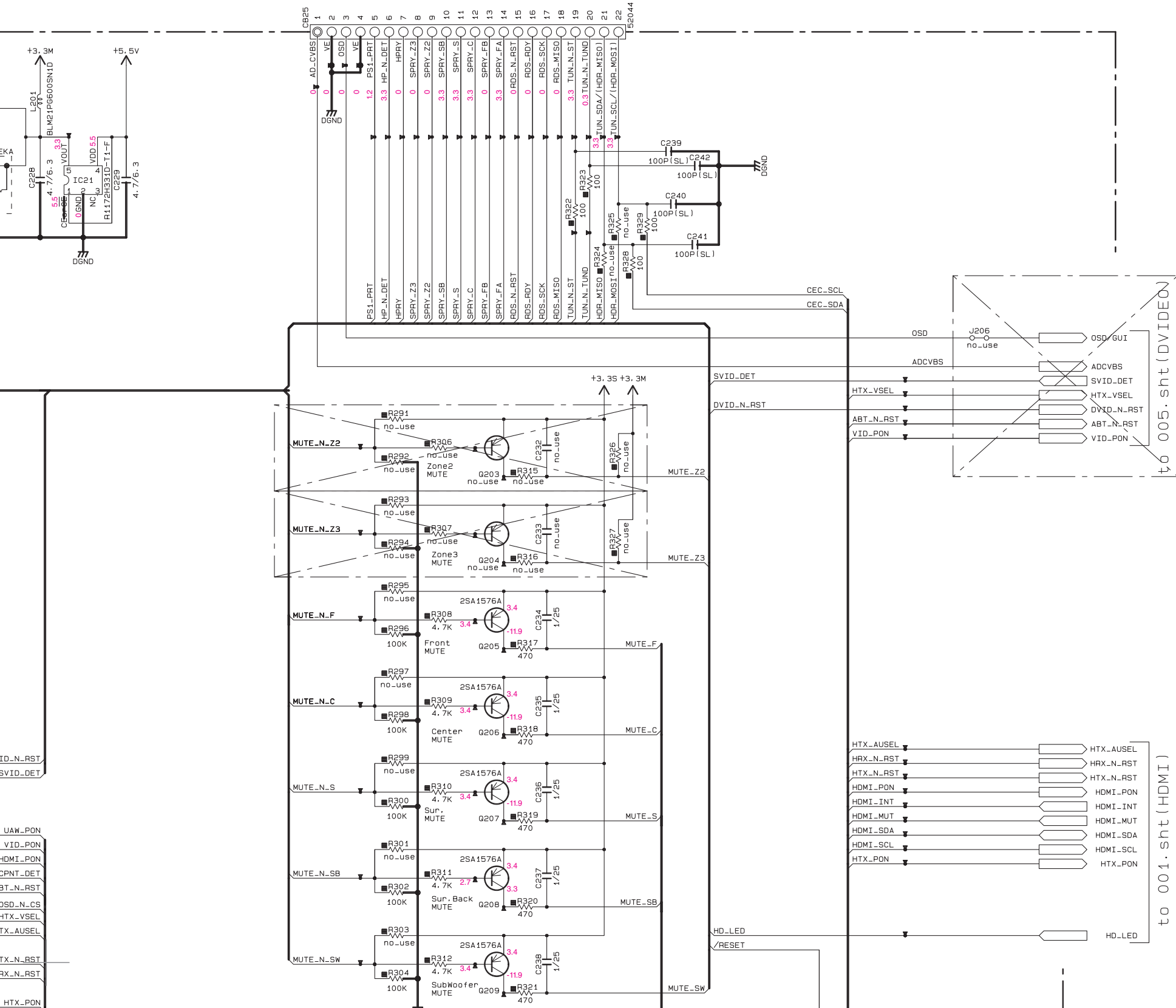
IC20  
YC590A0  
R5F64166DFD

Blank  
1024kByte : YC183A0 R5F64169DFD  
768kByte : YC592A0 R5F64168DFD  
640kByte : YC591A0 R5F64167DFD  
512kByte : YC590A0 R5F64166DFD  
Written by YEM  
467 - 567 : YC602A0

72	CPNT_DET	0	R270		
71	(SPRY_FB)	0	100		
70	(SPRY_FA)	3.3			
69	DSP_PON	0			
68	OSD_N_CS	3.3			
67	DVID_N_RST	0			DVID_N_RST
66	SVID_DET	0	R277		SVID_DET
65	E8a_N_CE	3.3	100		
64	NC				
63	HD_LED	0			
62	UAW_PON	0			UAW_PON
61	VID_PON	3.3			VID_PON
60	HDMI_PON	3.3			HDMI_PON
59	Vcc2	3.3			CPNT_DET
58	ABT_N_RST	3.3			ABT_N_RST
57	Vss	0	C224	0.1/16	OSD_N_CS
56	HTX_VSEL	0			HTX_VSEL
55	HTX_AUSEL	3.3			HTX_AUSEL
54	E8a_N_EPM	0			
53	HTX_N_RST	3.3			HTX_N_RST
52	HRX_N_RST	3.3			HRX_N_RST
51	REM_OUT	3.3			
50	HTX_PON	0			HTX_PON

Page 102 G8  
to VIDEO (1)\_CB349

to VIDEO



CAPACITOR

REMARKS	PARTS NAME	
NO MARK	ELECTROLYTIC CAPACITOR	77
⊗	TANTALUM CAPACITOR	
NO MARK	CERAMIC CAPACITOR	
⊙	CERAMIC TUBULAR CAPACITOR	
⊖	POLYESTER FILM CAPACITOR	
○	POLYSTYRENE FILM CAPACITOR	11
Ⓜ	MICA CAPACITOR	
Ⓟ	POLYPROPYLENE FILM CAPACITOR	
Ⓢ	SEMICONDUCTIVE CERAMIC CAPACITOR	
Ⓣ	POLYPHENYLENE SULFIDE FILM CAPACITOR	

RESISTOR

REMARKS	PARTS NAME
NO MARK	CARBON FILM RESISTOR (P=5)
⊠	CARBON FILM RESISTOR (P=10)
△	METAL OXIDE FILM RESISTOR
▲	METAL FILM RESISTOR
⊞	METAL PLATE RESISTOR
⊚	FIRE PROOF CARBON FILM RESISTOR
□	CEMENT MOLDED RESISTOR
⊕	SEMI VARIABLE RESISTOR
■	CHIP RESISTOR

NOTICE (mode1)  
 (J)..... JAPAN  
 (U)..... U.S.A  
 (C)..... CANADA  
 (R)..... GENERAL  
 (T)..... CHINA  
 (K)..... KOREA  
 (A)..... AUSTRALIA  
 (B)..... BRITISH  
 (G)..... EUROPE  
 (L)..... SINGAPORE  
 (E)..... SOUTH EUROPE  
 (V)..... TAIWAN  
 (F)..... RUSSIAN  
 (P)..... LATIN AMERICA  
 (S)..... BRAZIL

to 005.sht (DIVIDE0)

to 001.sht (HDMI)

To DIGITAL 1/4

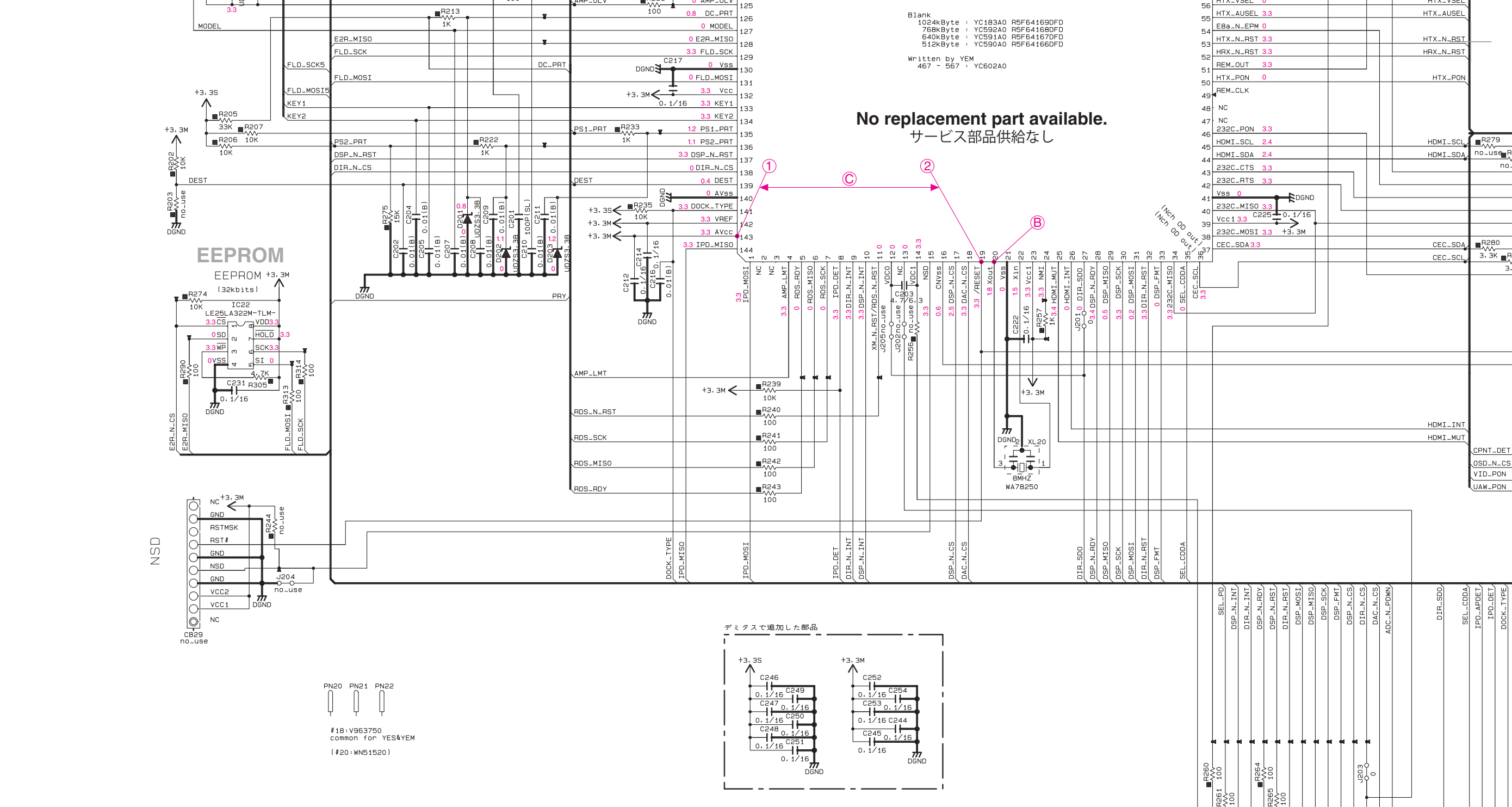
6

7

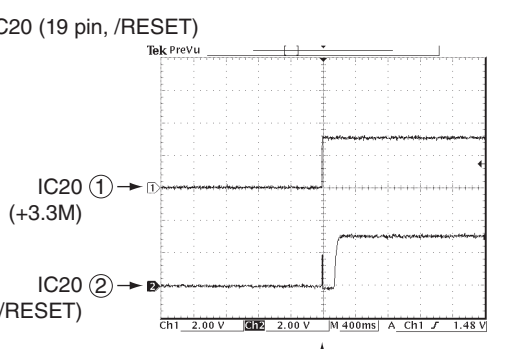
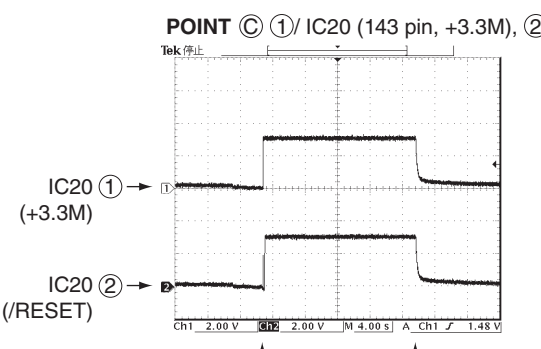
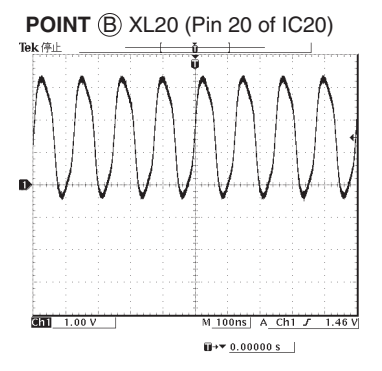
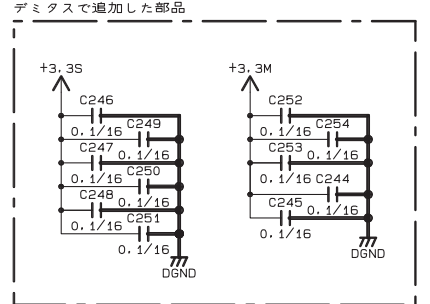
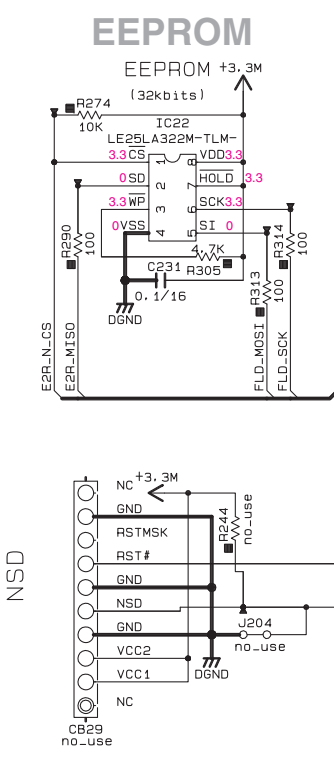
8

9

10



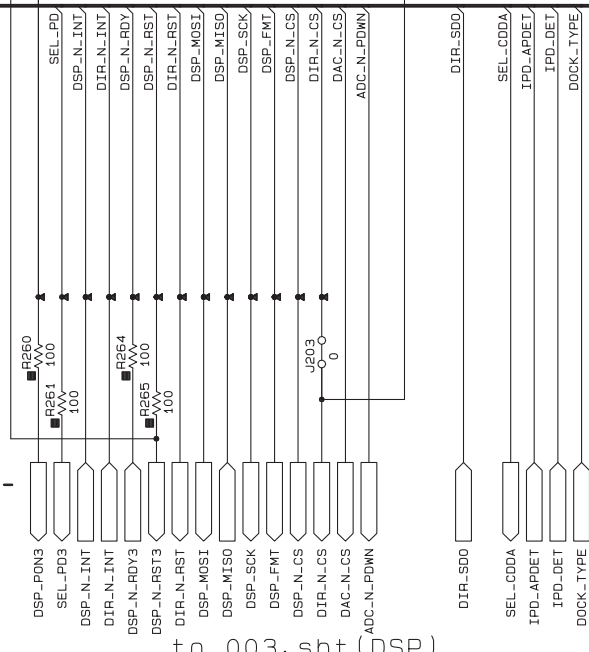
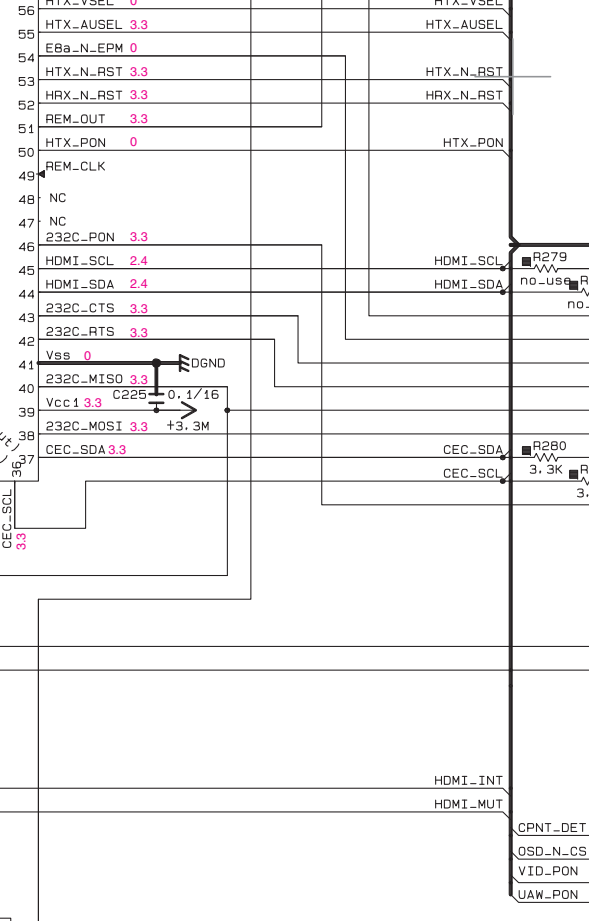
No replacement part available.  
サービス部品供給なし



AC POWER ON (Connect the power cable)      AC POWER OFF (Disconnect the power cable)

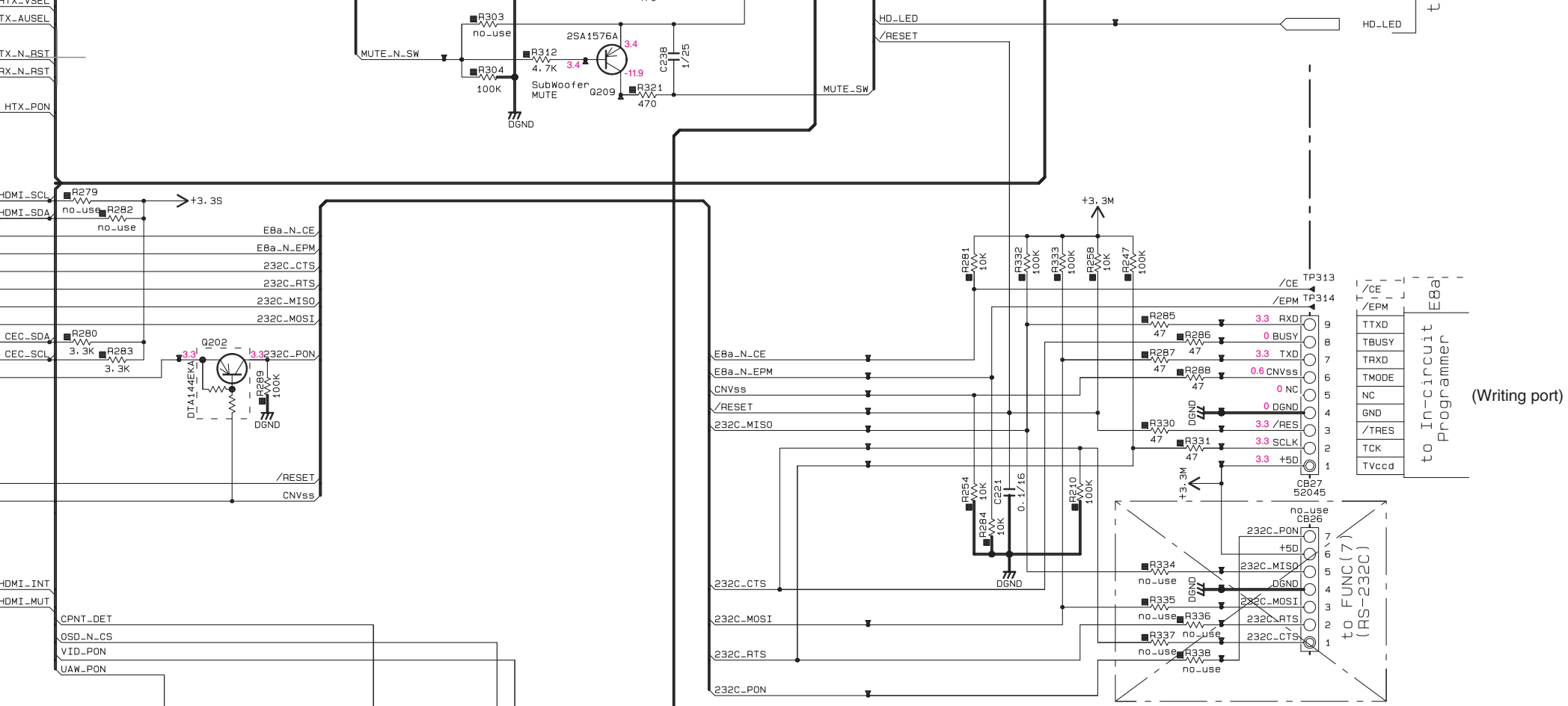
AC POWER ON (Connect the power cable)

A	B
C	D

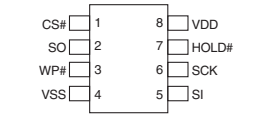
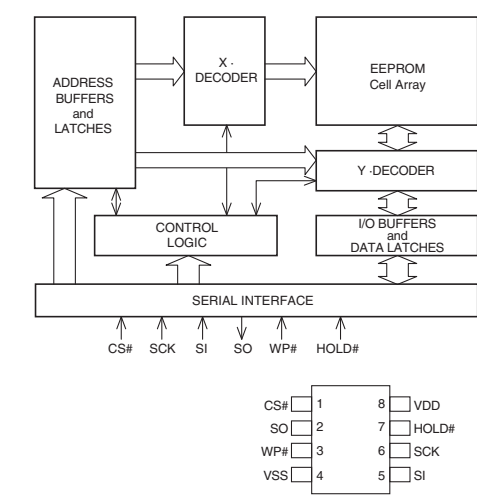


to 003.sht (DSP)  
To DIGITAL 3/4

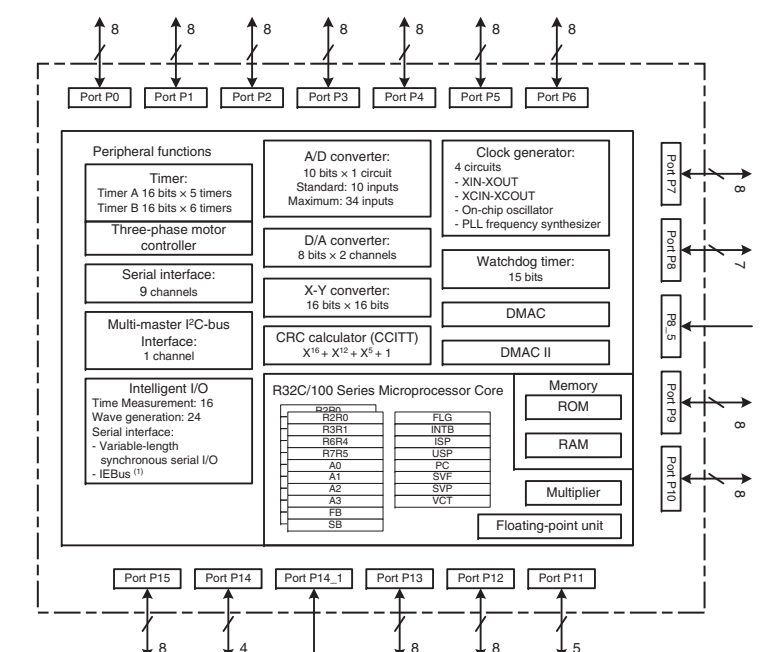




**IC22: LE25LA322M-TLM-E**  
32 k-bit serial SPI EEPROM

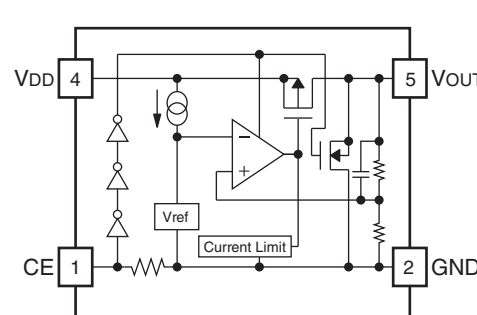


**IC20: R5F64166DFD**  
Single chip 32-bit microprocessor



Note: 1. IEBus is a trademark of NEC Electronics Corporation.

**IC21: R1172H331D-T1-F**  
Voltage regulator



Pin No.	Symbol	Description
1	CE	Chip Enable Pin
2	GND	Ground Pin
3	NC	No Connection
4	VDD	Input Pin
5	VOUT	Output Pin of Voltage Regulator

To DIGITAL 4/4

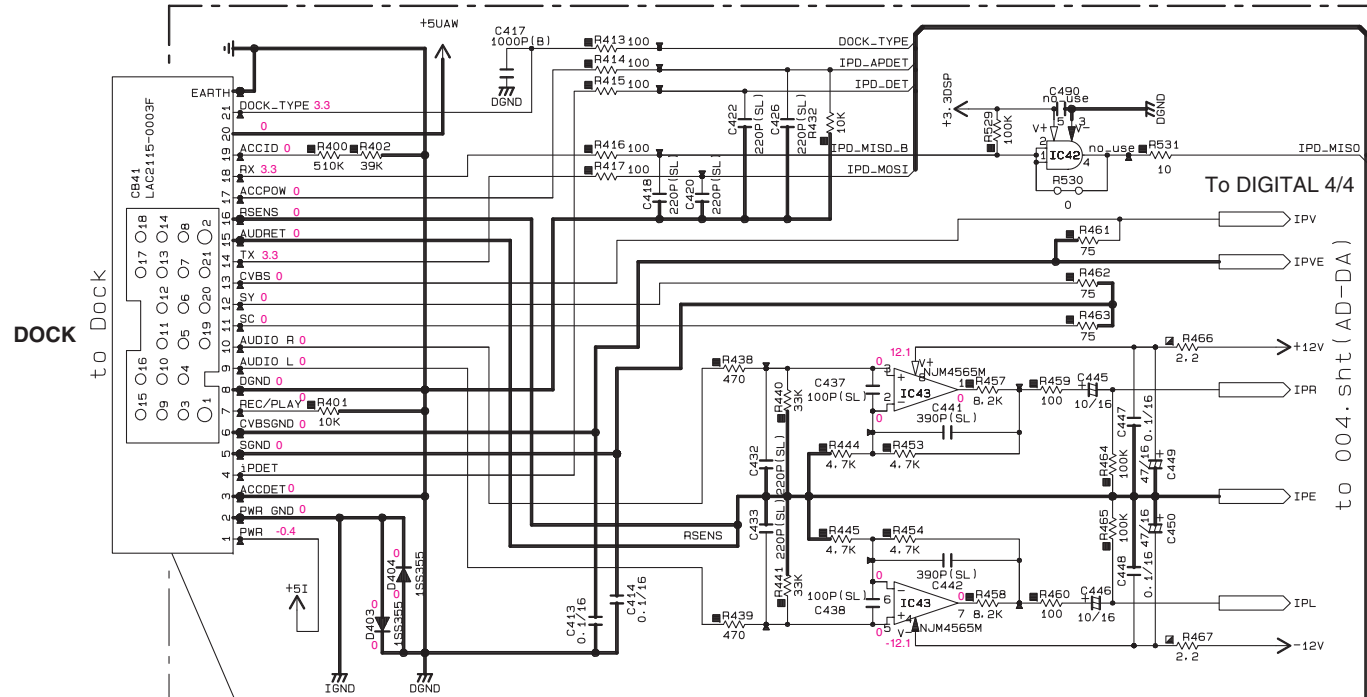
- ★ All voltages are measured with a 10MΩ/V DC electronic voltmeter.
- ★ Components having special characteristics are marked Δ and must be replaced with parts having specifications equal to those originally installed.
- ★ Schematic diagram is subject to change without notice.

- 電圧は、内部抵抗 10MΩの電圧計で測定したものです。
- Δ印のある部品は、安全性確保部品を示しています。部品の交換が必要な場合、パーツリストに記載されている部品を使用してください。
- 本回路図は標準回路図です。改良のため予告なく変更することがあります。

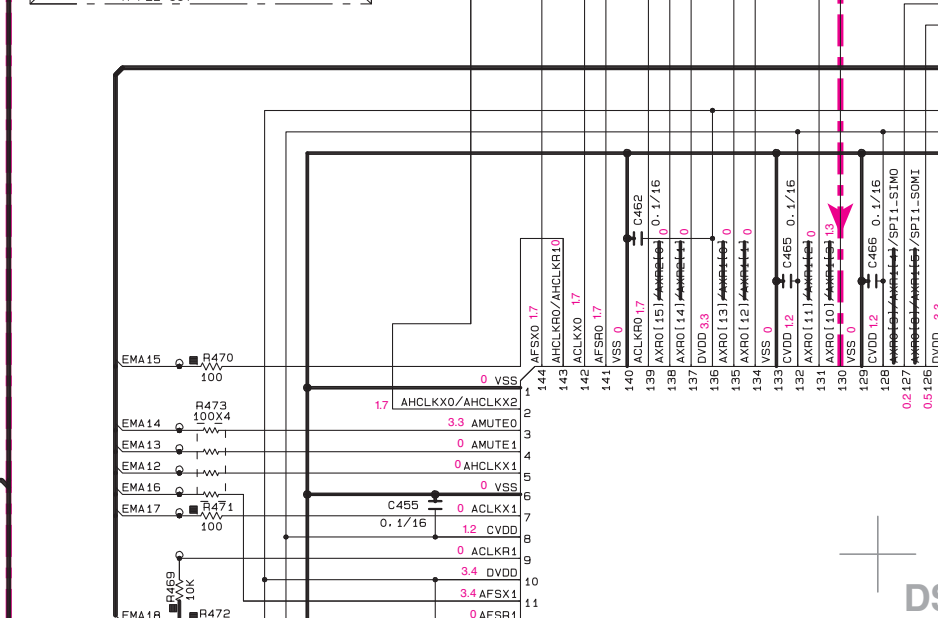
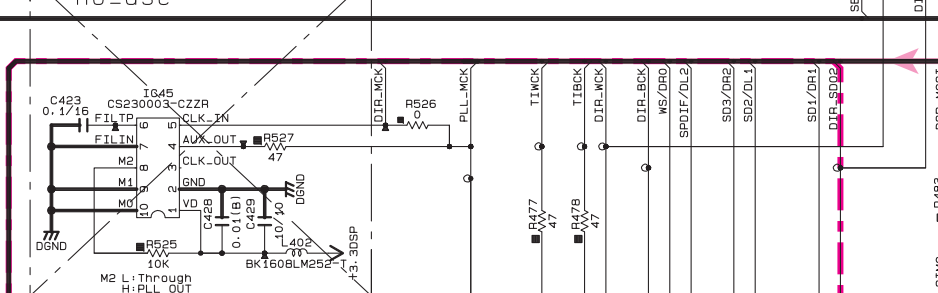
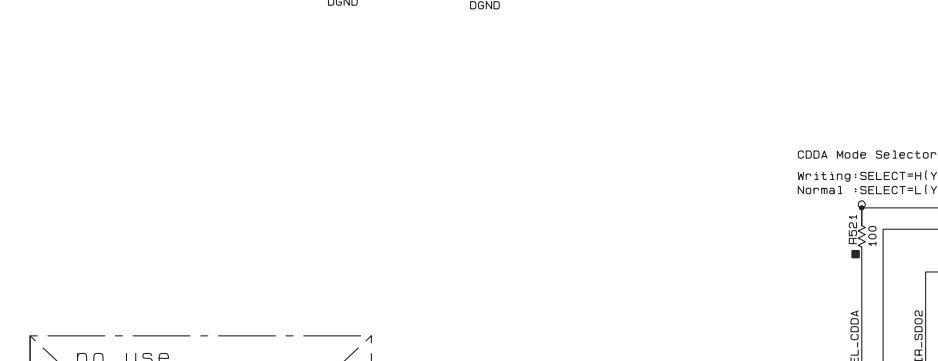
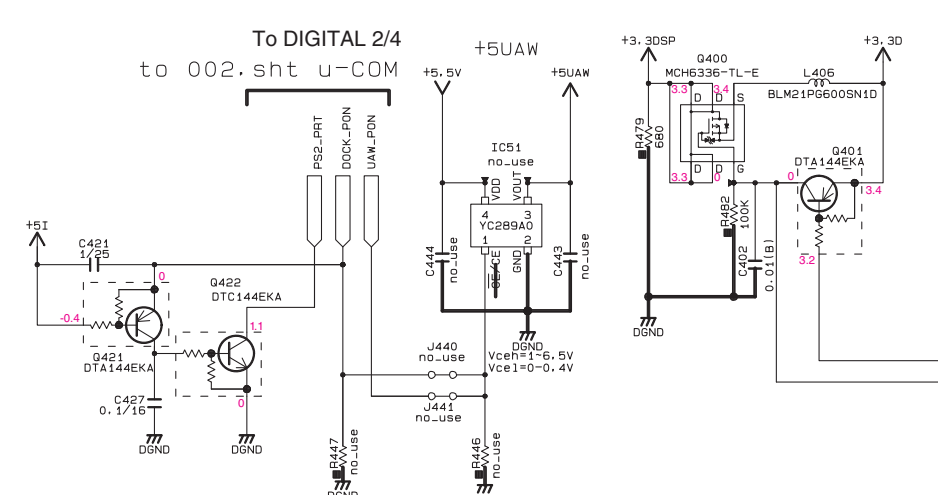
A	B
C	D

A	B
C	D

DIGITAL 3/4



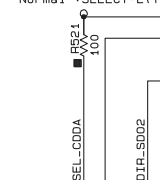
No replacement part available.  
サービス部品供給なし

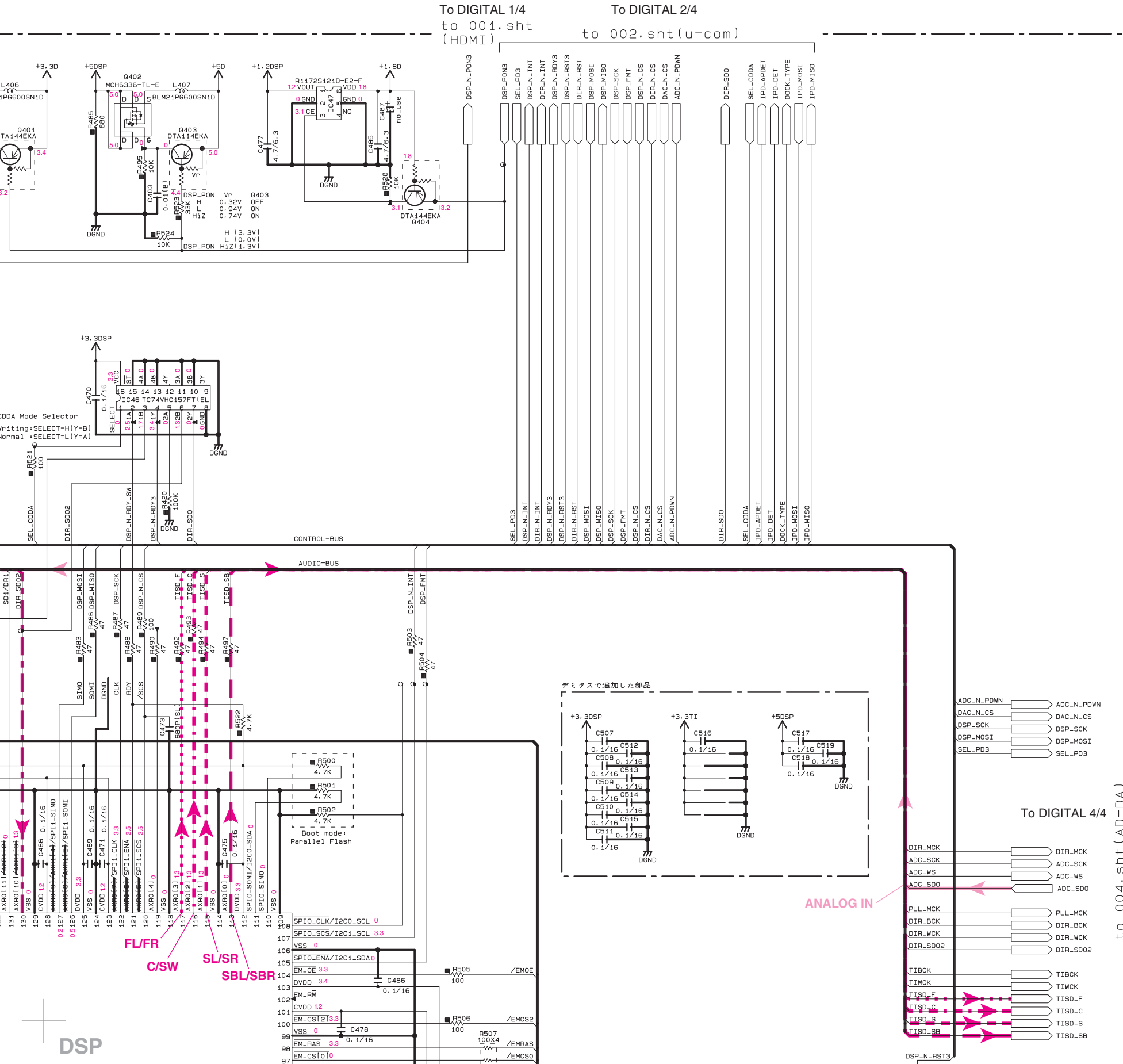


To DIGITAL 4/4  
to 004.sht (AD-DA)



CDDA Mode Selector  
Writing: SELECT=HIY=B  
Normal: SELECT=LIY=A





CAPACITOR

REMARKS	PARTS NAME	
NO MARK	ELECTROLYTIC CAPACITOR	#
⊗	TANTALUM CAPACITOR	
NO MARK	CERAMIC CAPACITOR	#
⊙	CERAMIC TUBULAR CAPACITOR	
○	POLYESTER FILM CAPACITOR	
○	POLYSTYRENE FILM CAPACITOR	
Ⓜ	MICA CAPACITOR	
Ⓟ	POLYPROPYLENE FILM CAPACITOR	
Ⓢ	SEMICONDUCTIVE CERAMIC CAPACITOR	
Ⓣ	POLYPHENYLENE SULFIDE FILM CAPACITOR	

RESISTOR

REMARKS	PARTS NAME	
NO MARK	CARBON FILM RESISTOR (P=5)	
⊠	CARBON FILM RESISTOR (P=10)	
△	METAL OXIDE FILM RESISTOR	
▲	METAL FILM RESISTOR	
⊞	METAL PLATE RESISTOR	
⊞	FIRE PROOF CARBON FILM RESISTOR	
□	CEMENT MOLDED RESISTOR	
⊞	SEMI VARIABLE RESISTOR	
■	CHIP RESISTOR	

NOTICE (model)

(J)..... JAPAN  
 (U)..... U.S.A  
 (C)..... CANADA  
 (R)..... GENERAL  
 (T)..... CHINA  
 (K)..... KOREA  
 (A)..... AUSTRALIA  
 (B)..... BRITISH  
 (G)..... EUROPE  
 (L)..... SINGAPORE  
 (E)..... SOUTH EUROPE  
 (V)..... TAIWAN  
 (F)..... RUSSIAN  
 (P)..... LATIN AMERICA  
 (S)..... BRAZIL

to 004.sht (AD-DA)

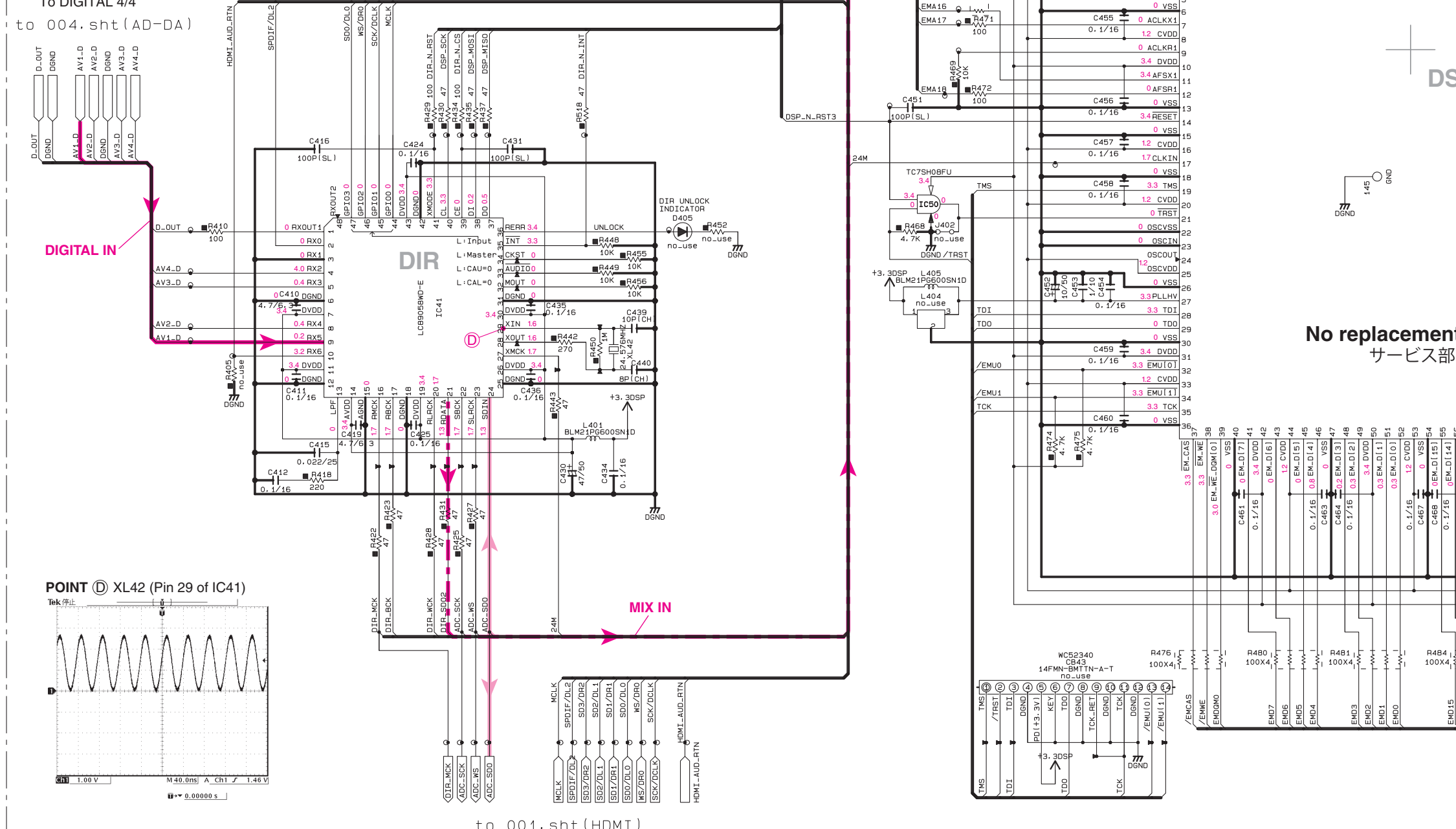
6

7

8

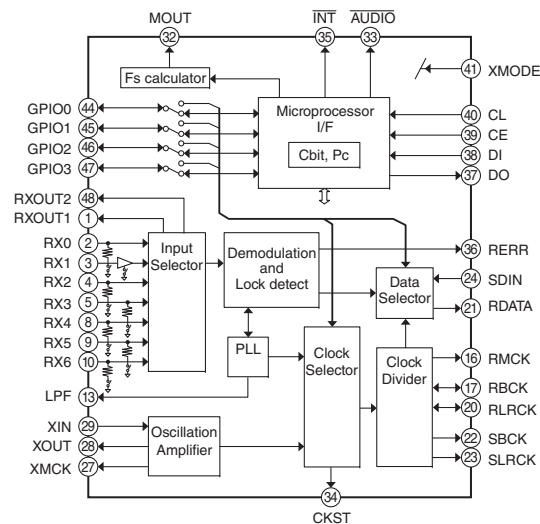
9

10

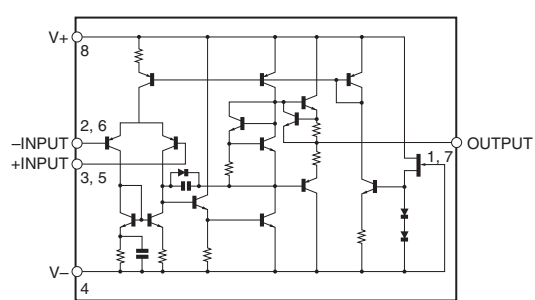


to 004.sht (AD-DA)  
to 001.sht (HDMI)  
To DIGITAL 1/4

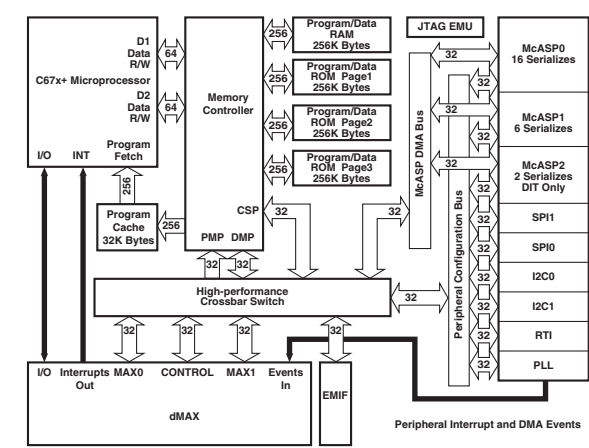
**IC41: LC89058WD-E**  
Digital audio interface receiver



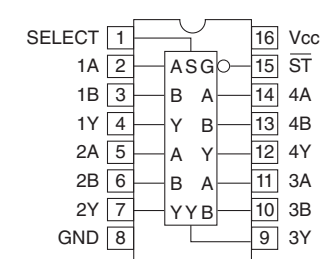
**IC43: NJM4565M (TE1)**  
Dual operational amplifier



**IC44: D70YE101BRFP266**  
Floating-point digital signal processors



**IC46: TC74VHC157FT**  
Quad 2-channel multiplexer



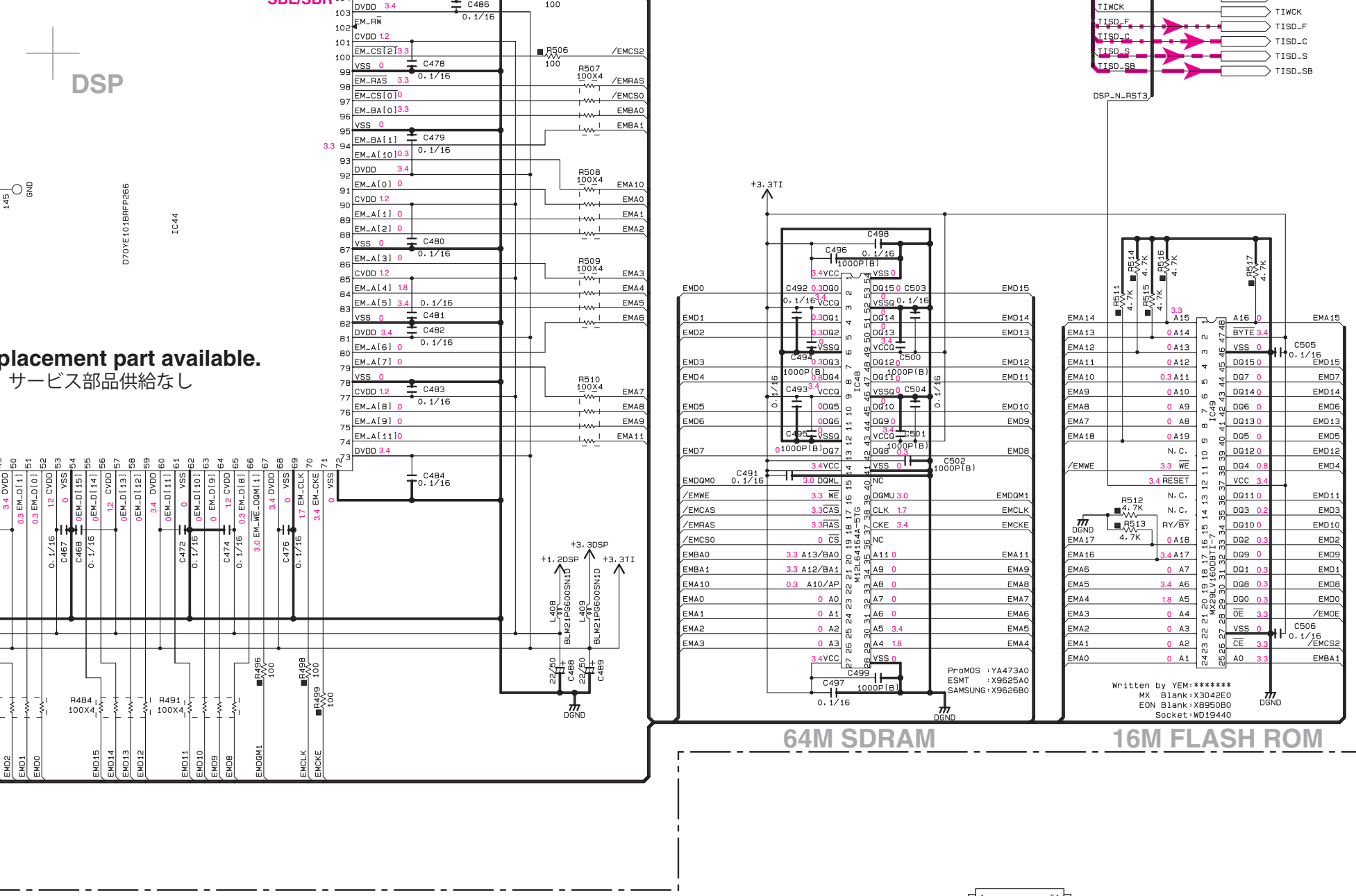
RX-V467/HTR-4063

A	B
C	D

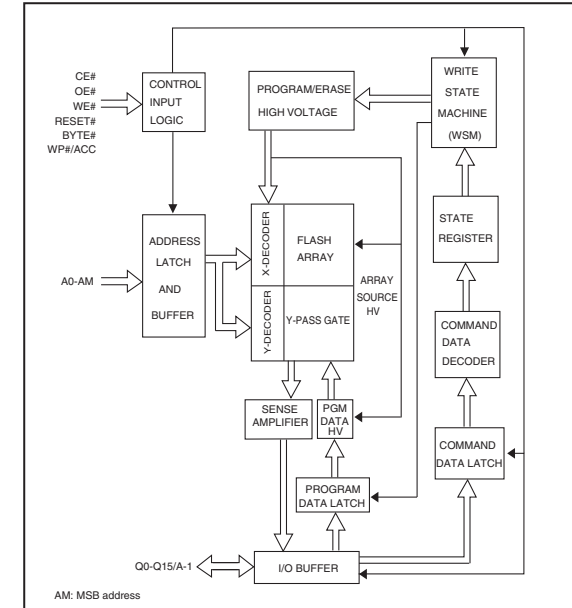
DIGITAL 3/4

DSP

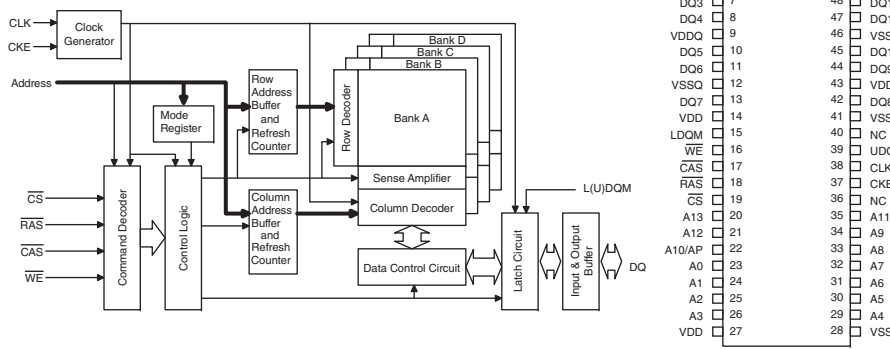
placement part available.  
サービス部品供給なし



IC49: MX29LV160DBTI-70G  
16M-bit 3V supply flash memory

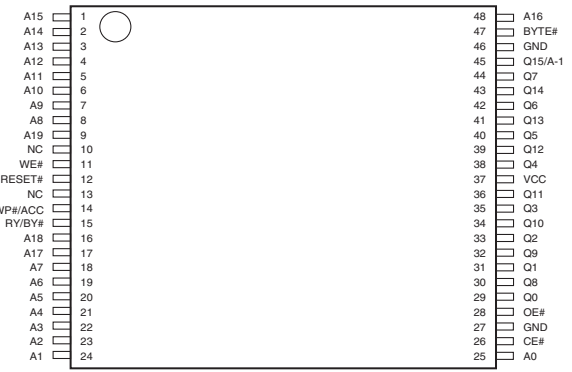
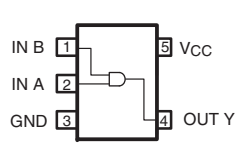


IC48: M12L64164A-5TG  
1M x 16-bit x 4 banks synchronous DRAM

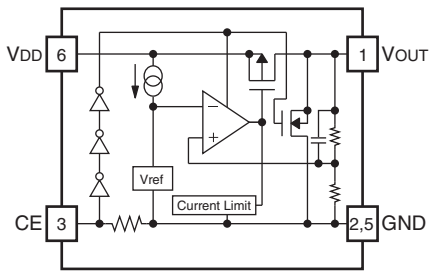


VDD	1	54	VSS
DQ0	2	53	DQ15
VDDQ	3	52	VSSQ
DQ1	4	51	DQ14
DQ2	5	50	DQ13
VSSQ	6	49	VDDQ
DQ3	7	48	DQ12
DQ4	8	47	DQ11
VDDQ	9	46	VSSQ
DQ5	10	45	DQ10
DQ6	11	44	DQ9
VSSQ	12	43	VDDQ
DQ7	13	42	DQ8
VDD	14	41	VSS
LDQM	15	40	NC
WE	16	39	UDQM
CAS	17	38	CLK
RAS	18	37	CKE
CS	19	36	NC
A13	20	35	A11
A12	21	34	A9
A10/AP	22	33	A8
A0	23	32	A7
A1	24	31	A6
A2	25	30	A5
A3	26	29	A4
VDD	27	28	VSS

IC50: TC7SH08FU  
2-input AND gate



IC47: R1172S121D-E2-F  
Voltage regulator



Pin No.	Symbol	Description
1	VOUT	Output Pin of Voltage Regulator
2, 5	GND	Ground Pin
3	CE	Chip Enable Pin
4	NC	No Connection
6	VDD	Input Pin

- ★ All voltages are measured with a 10MΩ/V DC electronic voltmeter.
- ★ Components having special characteristics are marked Δ and must be replaced with parts having specifications equal to those originally installed.
- ★ Schematic diagram is subject to change without notice.

- 電圧は、内部抵抗 10MΩの電圧計で測定したものです。
- Δ印のある部品は、安全性確保部品を示しています。部品の交換が必要な場合、パーツリストに記載されている部品を使用してください。
- 本回路図は標準回路図です。改良のため予告なく変更することがあります。

A	B
C	D



A	B
C	D

RX-V467/HTR-4063

DIGITAL 4/4

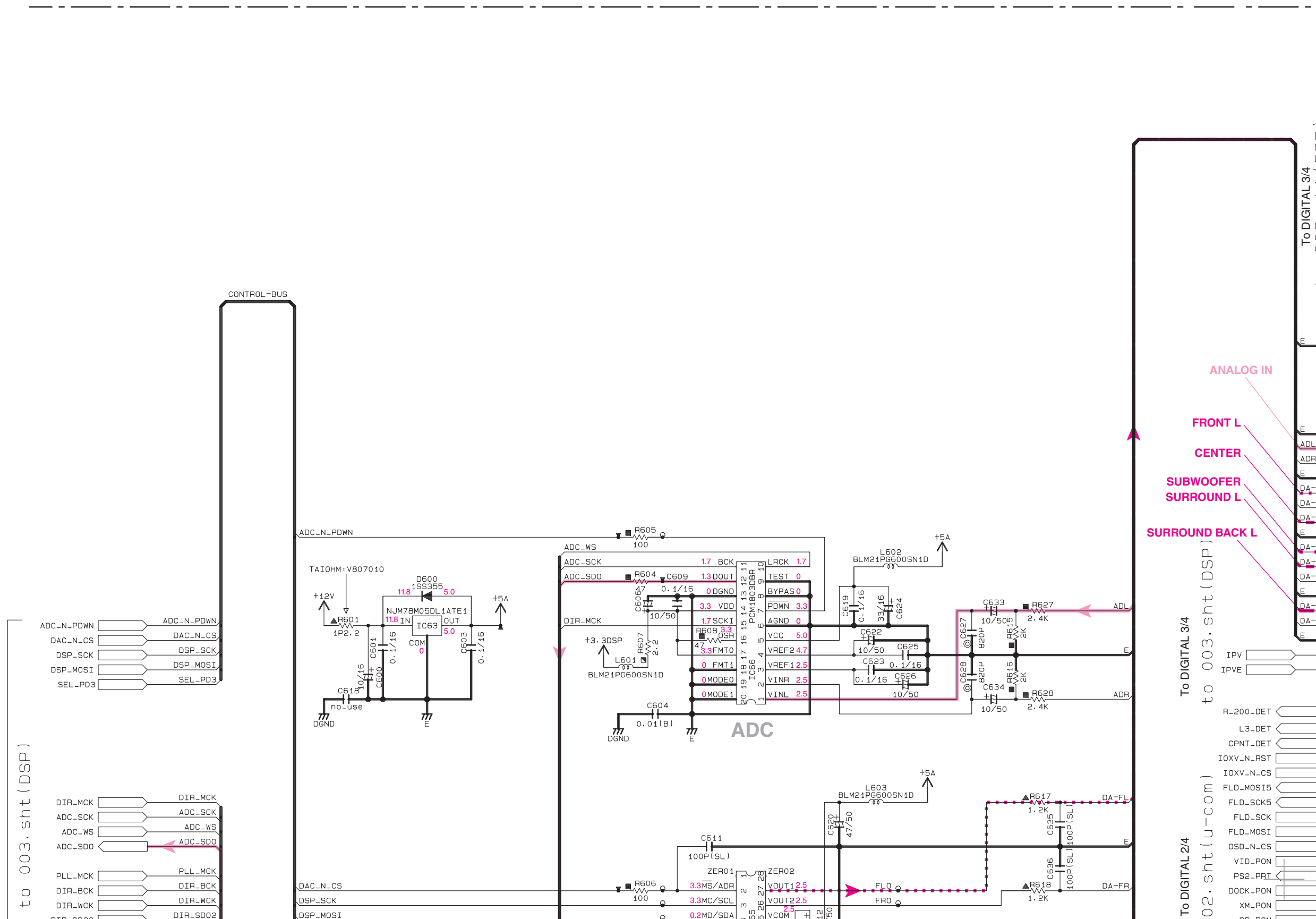
1

2

3

4

5



ANALOG IN  
FRONT L  
CENTER  
SUBWOOFER  
SURROUND L  
SURROUND BACK L

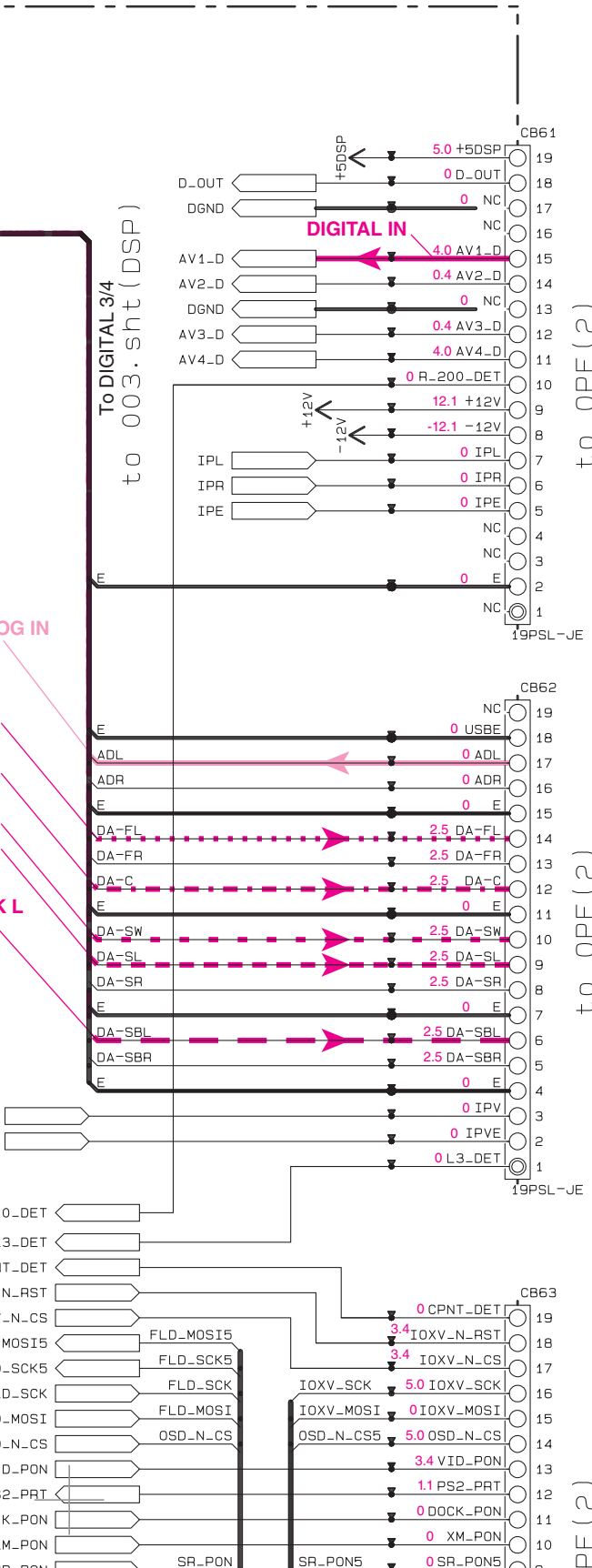
To DIGITAL 3/4

To DIGITAL 2/4

To DIGITAL 3/4  
to 003.sht (DSP)

IPV  
IPVE

R-200\_DET  
L3\_DET  
CPNT\_DET  
IOXV\_N\_RST  
IOXV\_N\_CS  
FLD\_MOSI5  
FLD\_SCK5  
FLD\_MOSI  
OSD\_N\_CS  
VID\_PON  
PS2\_PRI  
DOCK\_PON  
XM\_PON  
SP\_PON



Page 98 **E3**  
to OPERATION (2)\_CB452

Page 98 **G3**  
to OPERATION (2)\_CB452

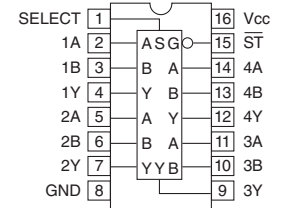
Page 98 **I3**  
to OPERATION (2)\_CB452

s1 ~19:002.sht(u-com)  
s20~54:003.sht(DSP)  
s55~89:004.sht(AD-DA)

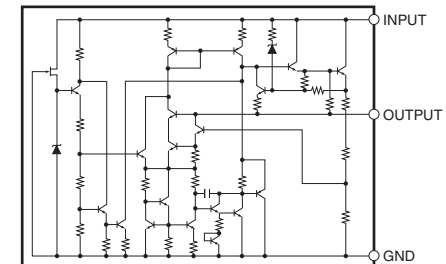
Destination Part List

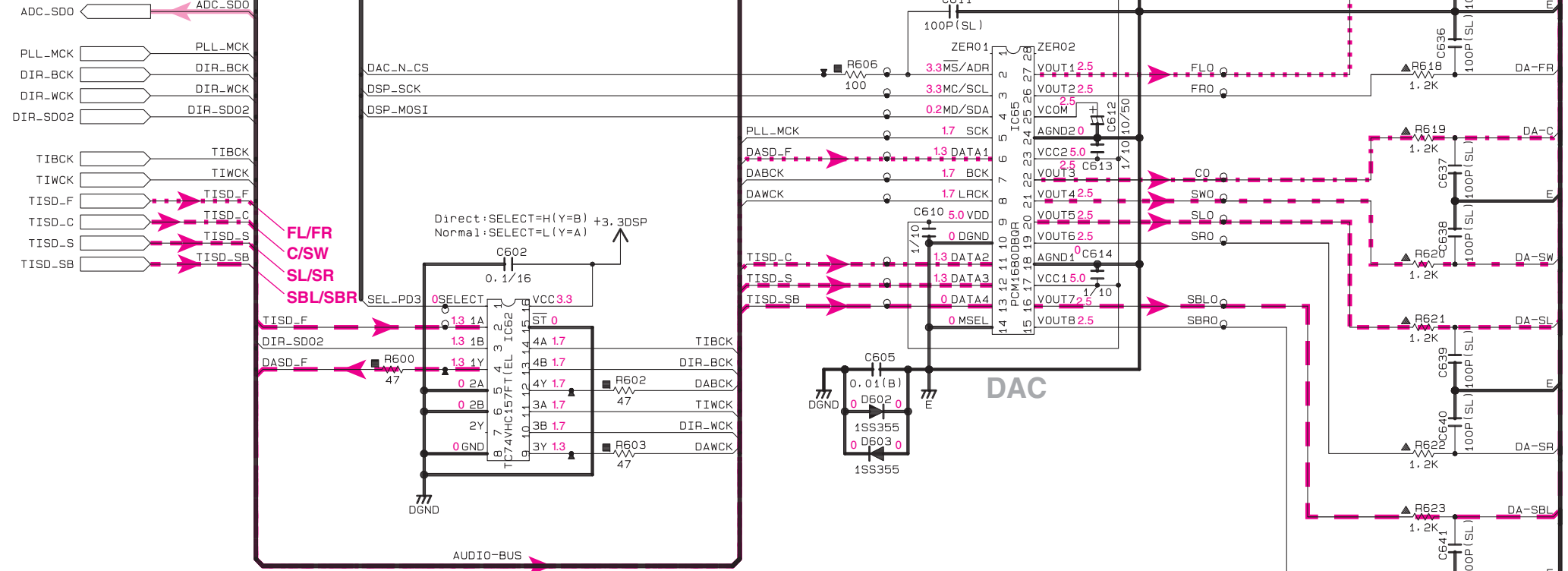
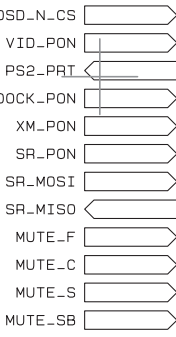
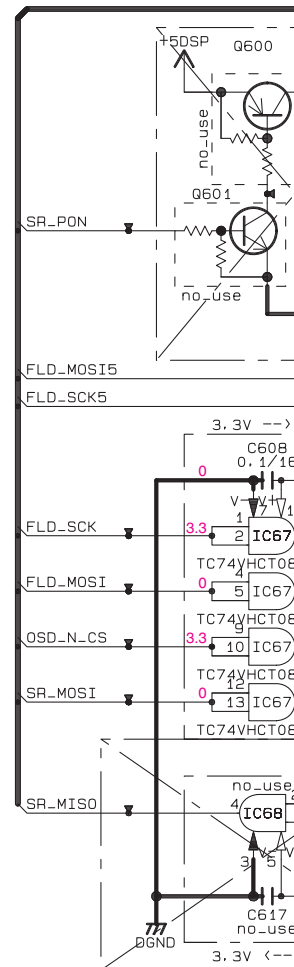
sXX	LOC	JUCTKABGLEF	RS
s1	Q210	X	VR93630 2SA1576A
s2	R211	X	RD35533 330

**IC62: TC74VHC157FT**  
Quad 2-channel multiplexer



**IC63: NJM78M05DL1A (TE1)**  
Voltage regulator





CAPACITOR

REMARKS	PARTS NAME	
NO MARK	ELECTROLYTIC CAPACITOR	⊘
⊗	TANTALUM CAPACITOR	
NO MARK	CERAMIC CAPACITOR	
●	CERAMIC TUBULAR CAPACITOR	
◎	POLYESTER FILM CAPACITOR	
○	POLYSTYRENE FILM CAPACITOR	
①	MICA CAPACITOR	
Ⓟ	POLYPROPYLENE FILM CAPACITOR	
Ⓢ	SEMICONDUCTIVE CERAMIC CAPACITOR	
Ⓢ	POLYPHENYLENE SULFIDE FILM CAPACITOR	

RESISTOR

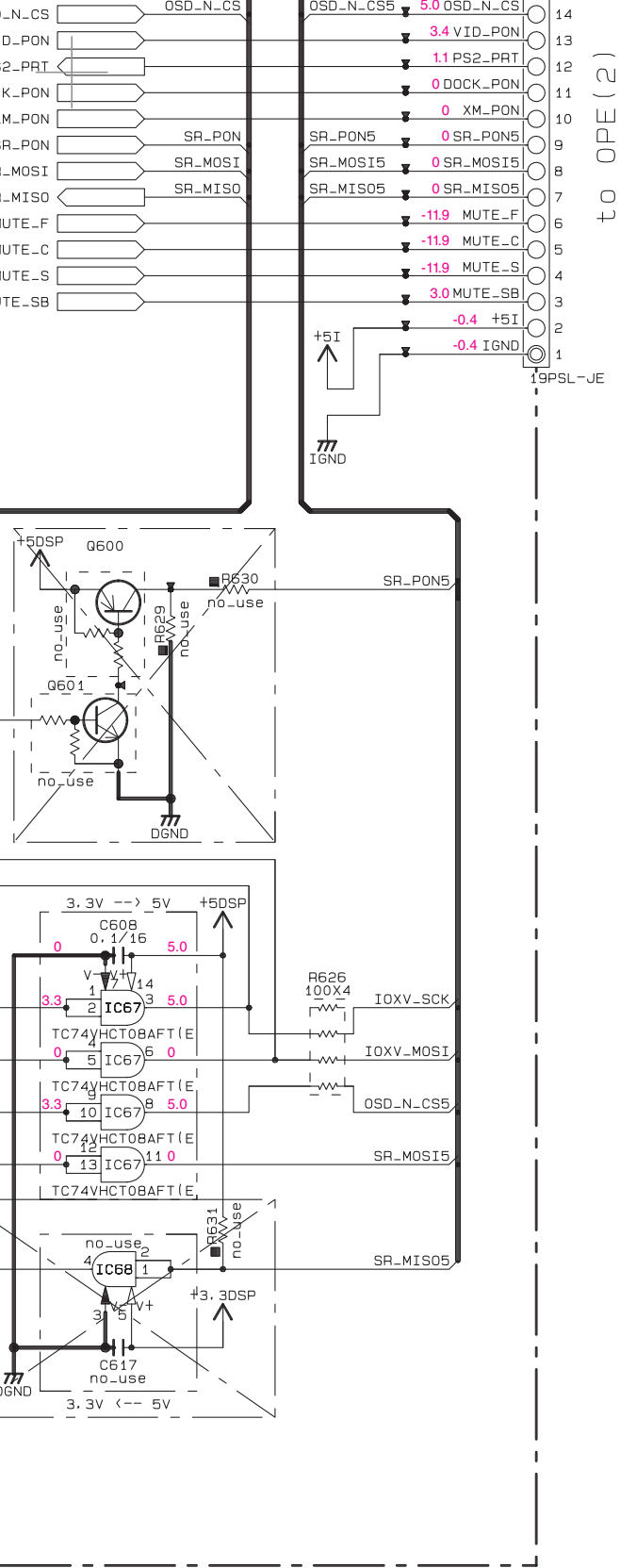
REMARKS	PARTS NAME
NO MARK	CARBON FILM RESISTOR (P=5)
⊠	CARBON FILM RESISTOR (P=10)
△	METAL OXIDE FILM RESISTOR
▲	METAL FILM RESISTOR
⊠	METAL PLATE RESISTOR
⊠	FIRE PROOF CARBON FILM RESISTOR
□	CEMENT MOLDED RESISTOR
⊗	SEMI VARIABLE RESISTOR
■	CHIP RESISTOR

NOTICE (model)

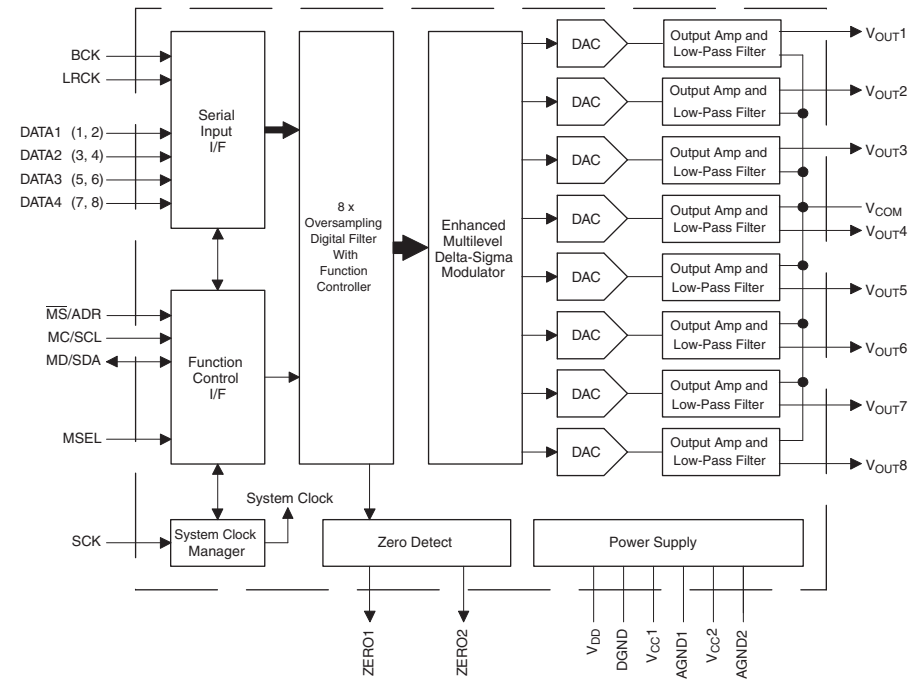
(J)..... JAPAN  
 (U)..... U.S.A  
 (C)..... CANADA  
 (R)..... GENERAL  
 (T)..... CHINA  
 (K)..... KOREA  
 (A)..... AUSTRALIA  
 (B)..... BRITISH  
 (G)..... EUROPE  
 (L)..... SINGAPORE  
 (E)..... SOUTH EUROPE  
 (V)..... TAIWAN  
 (F)..... RUSSIAN  
 (P)..... LATIN AMERICA  
 (S)..... BRAZIL

★ All voltages are measured with a 10MΩ/V DC electronic voltmeter.  
 ★ Components having special characteristics are marked Δ and must be replaced with parts having specifications equal to those originally installed.  
 ★ Schematic diagram is subject to change without notice.

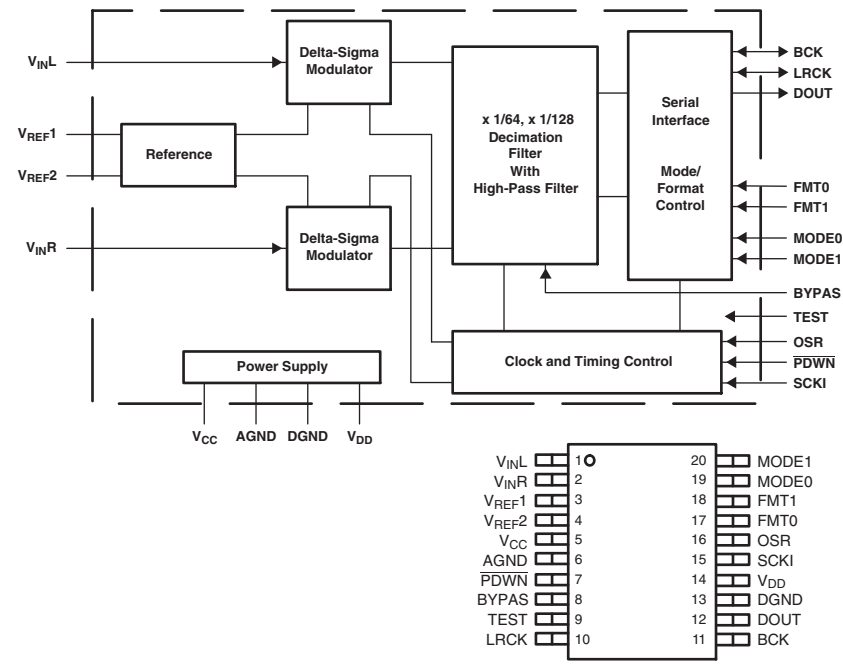
● 電圧は、内部抵抗 10MΩの電圧計で測定したものです。  
 ● Δ印のある部品は、安全性確保部品を示しています。部品の交換が必要な場合、パーツリストに記載されている部品を使用してください。  
 ● 本回路図は標準回路図です。改良のため予告なく変更することがあります。



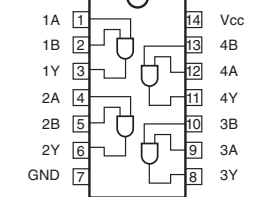
**IC65: PCM1680DBQR**  
Audio digital-to-analog converter



**IC66: PCM1803DBR**  
Stereo A/D converter

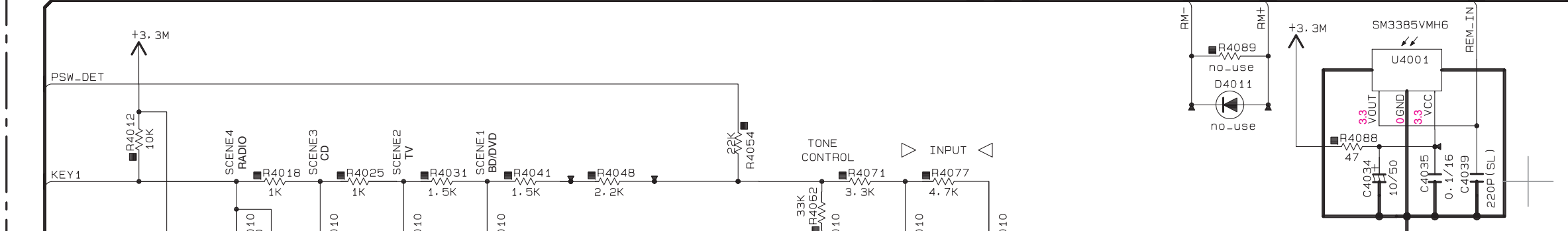
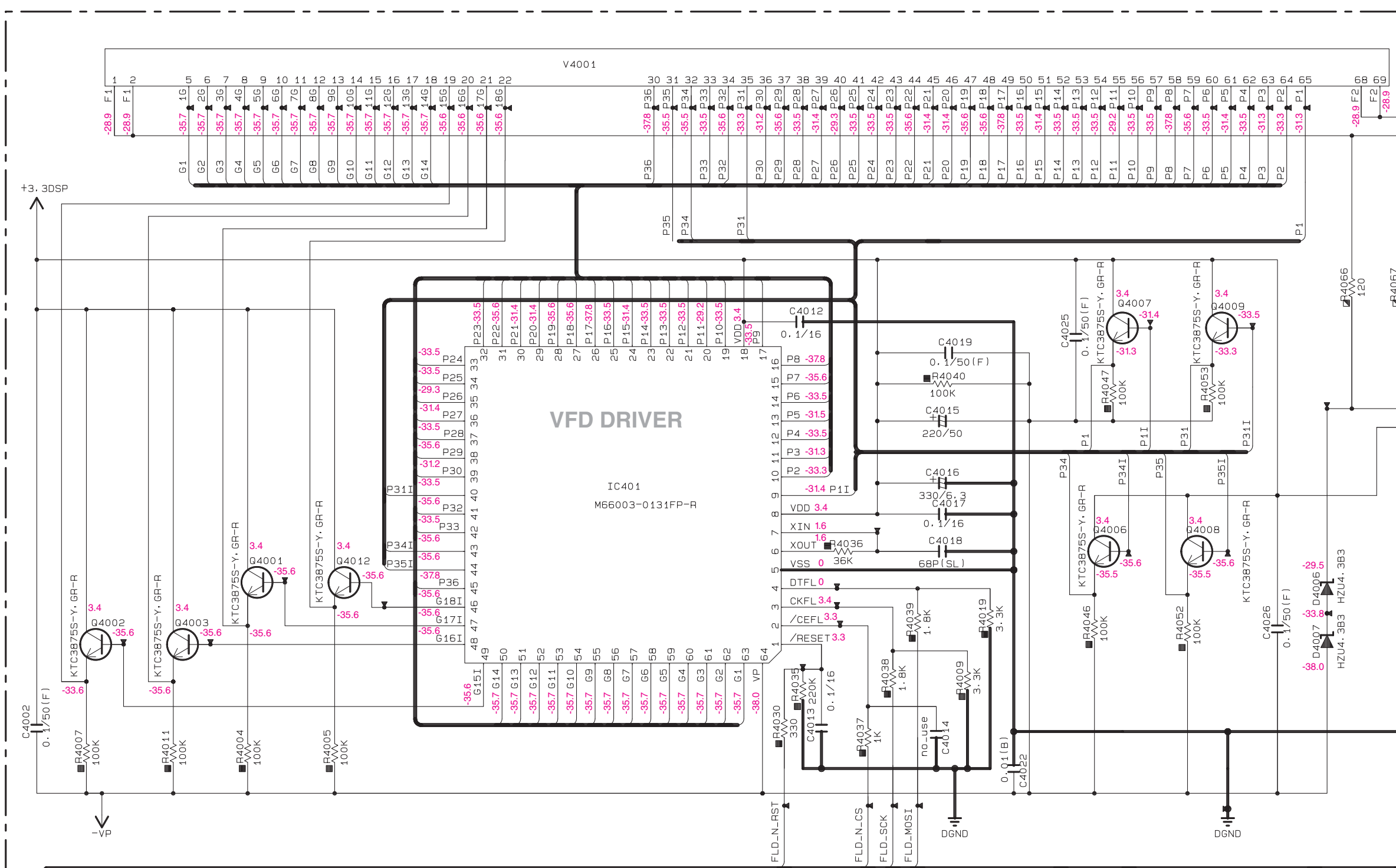


**IC67: TC74VHCT08AFT**  
Quad 2-input AND gate



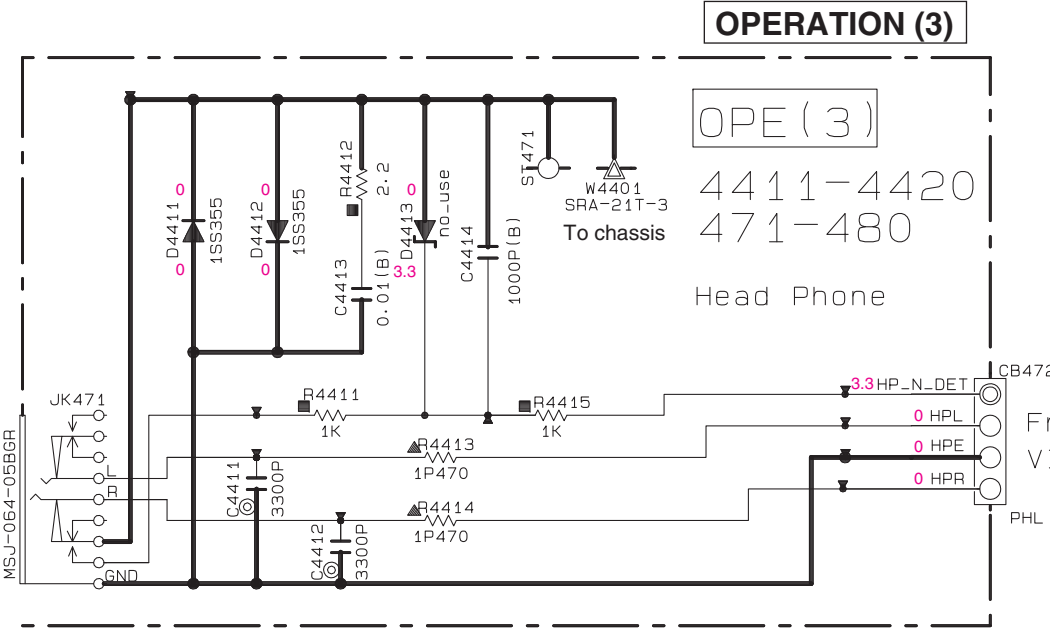
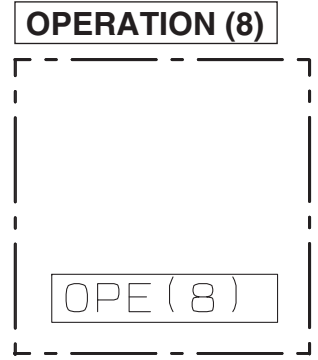
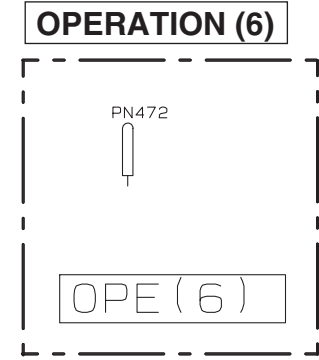
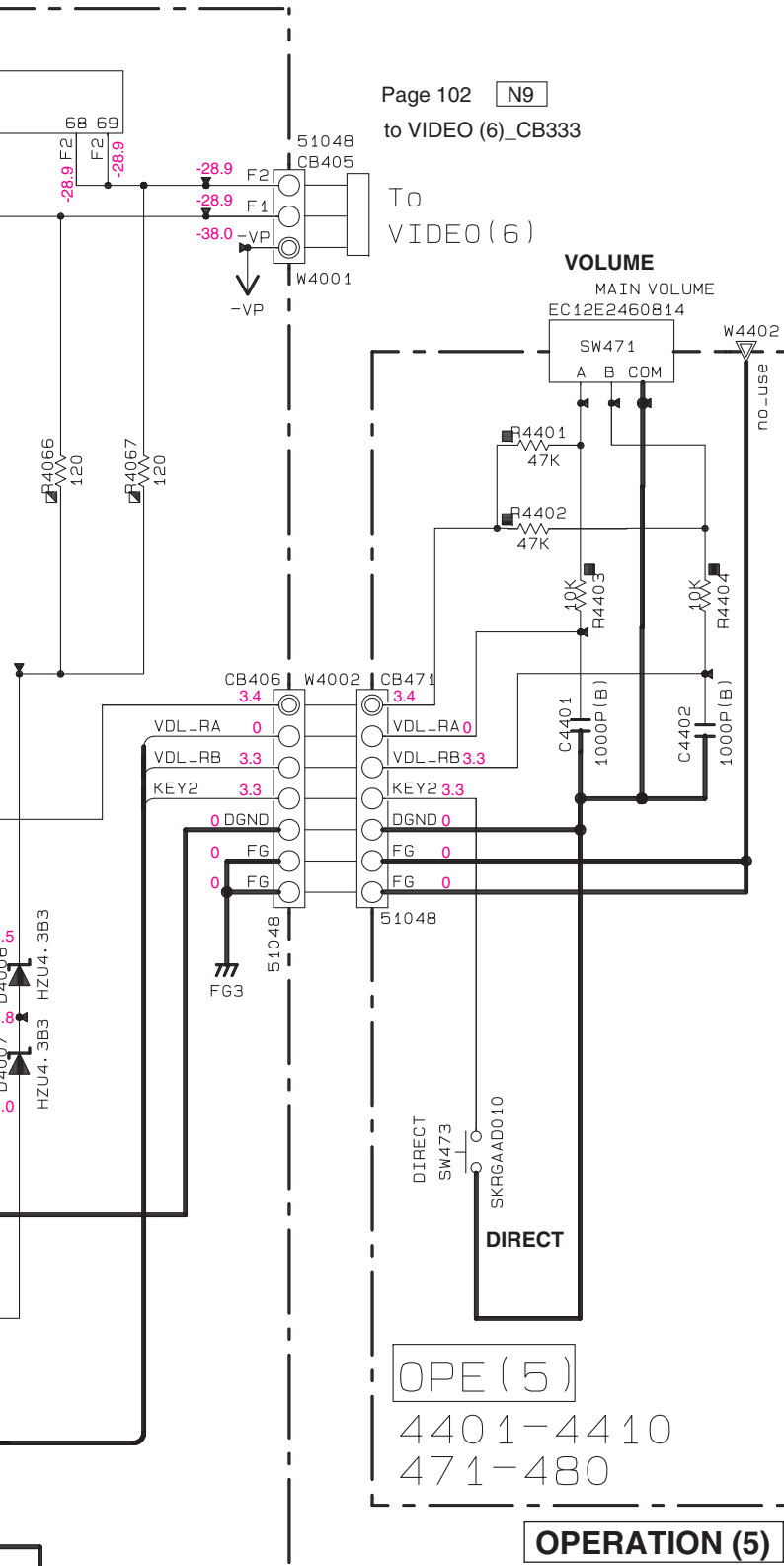
A	B
C	D

OPERATION 1/2





A	B
C	D



CAPACITOR

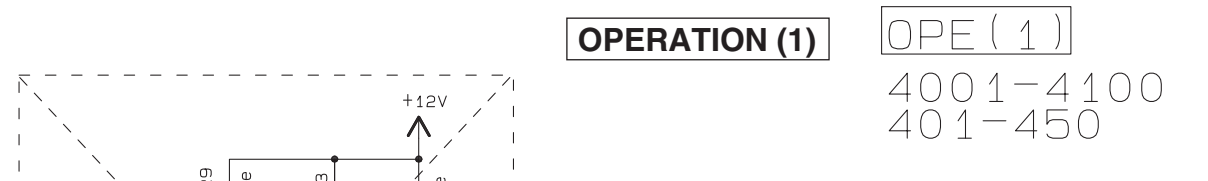
REMARKS	PARTS NAME	
NO MARK	ELECTROLYTIC CAPACITOR	#
⊗	TANTALUM CAPACITOR	
NO MARK	CERAMIC CAPACITOR	
●	CERAMIC TUBULAR CAPACITOR	
⊙	POLYESTER FILM CAPACITOR	
○	POLYSTYRENE FILM CAPACITOR	
⊖	MICA CAPACITOR	
Ⓟ	POLYPROPYLENE FILM CAPACITOR	
⊕	SEMICONDUCTIVE CERAMIC CAPACITOR	
Ⓢ	POLYPHENYLENE SULFIDE FILM CAPACITOR	

RESISTOR

REMARKS	PARTS NAME
NO MARK	CARBON FILM RESISTOR (P=5)
⊠	CARBON FILM RESISTOR (P=10)
△	METAL OXIDE FILM RESISTOR
▲	METAL FILM RESISTOR
⊞	METAL PLATE RESISTOR
⊞	FIRE PROOF CARBON FILM RESISTOR
□	CEMENT MOLDED RESISTOR
⊗	SEMI VARIABLE RESISTOR
■	CHIP RESISTOR

NOTICE (model)

(J)..... JAPAN  
(U)..... U. S. A  
(C)..... CANADA  
(R)..... GENERAL  
(T)..... CHINA  
(K)..... KOREA  
(A)..... AUSTRALIA  
(B)..... BRITISH  
(G)..... EUROPE  
(L)..... SINGAPORE  
(E)..... SOUTH EUROPE  
(V)..... TAIWAN  
(F)..... RUSSIAN  
(P)..... LATIN AMERICA  
(S)..... BRAZIL



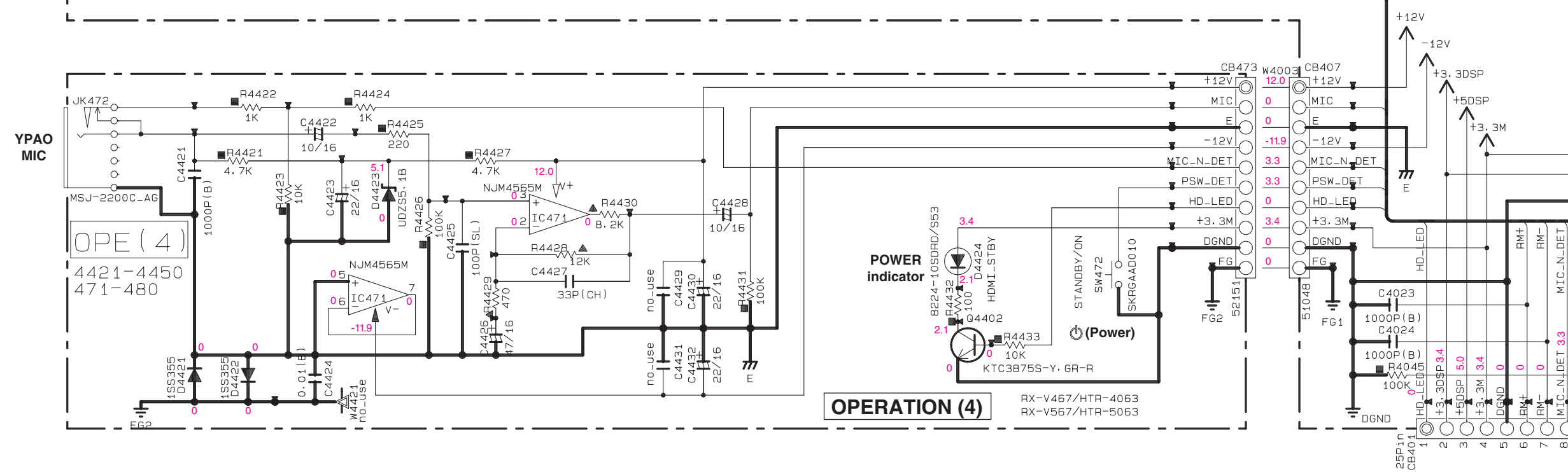
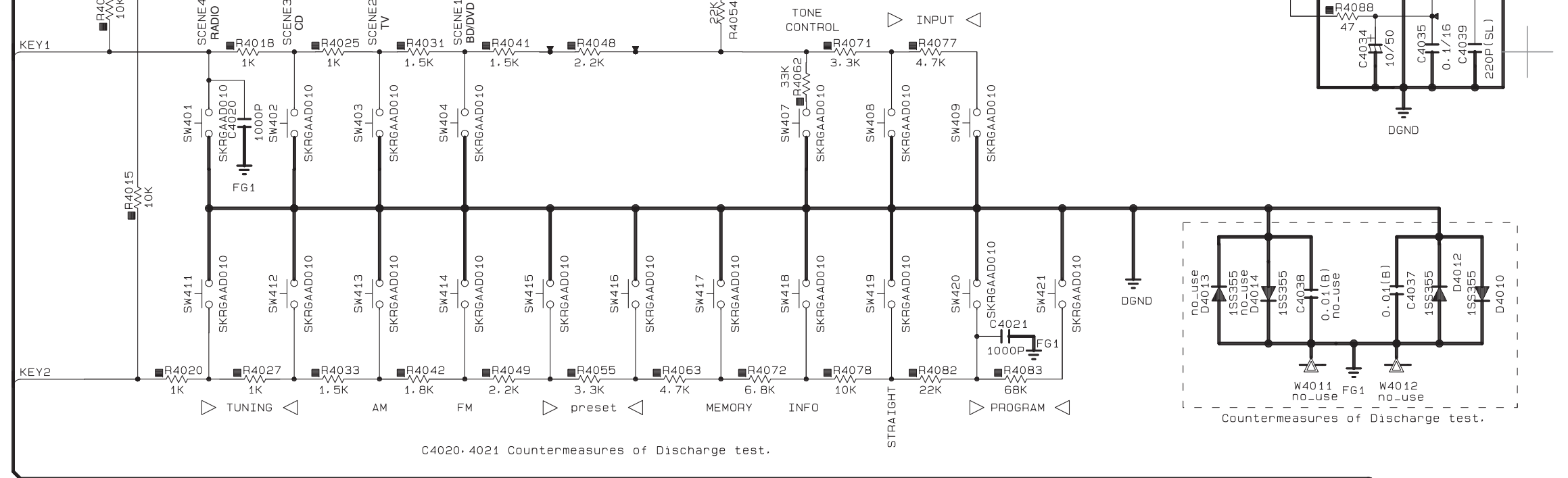
6

7

8

9

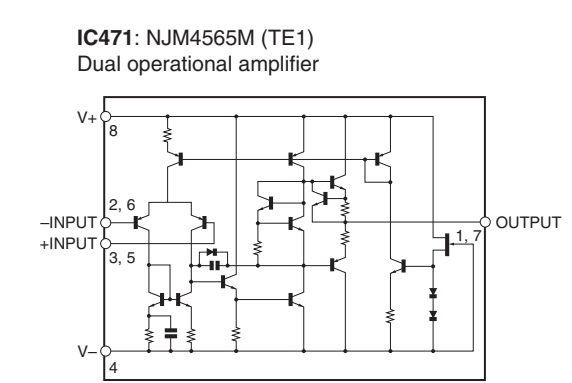
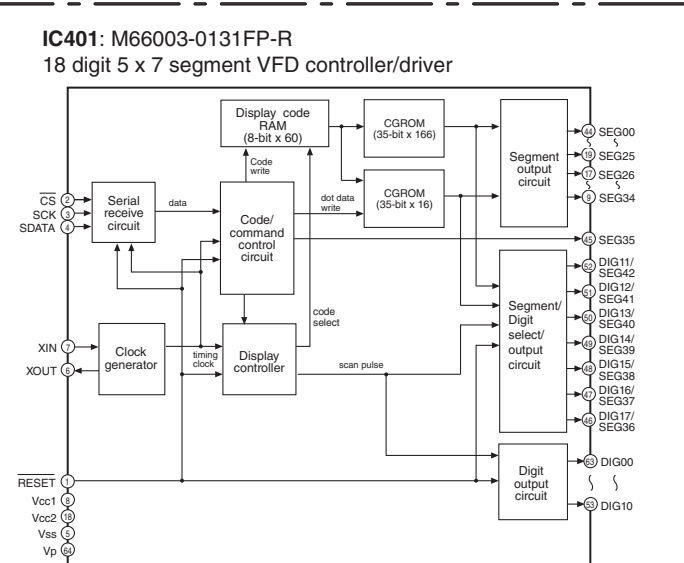
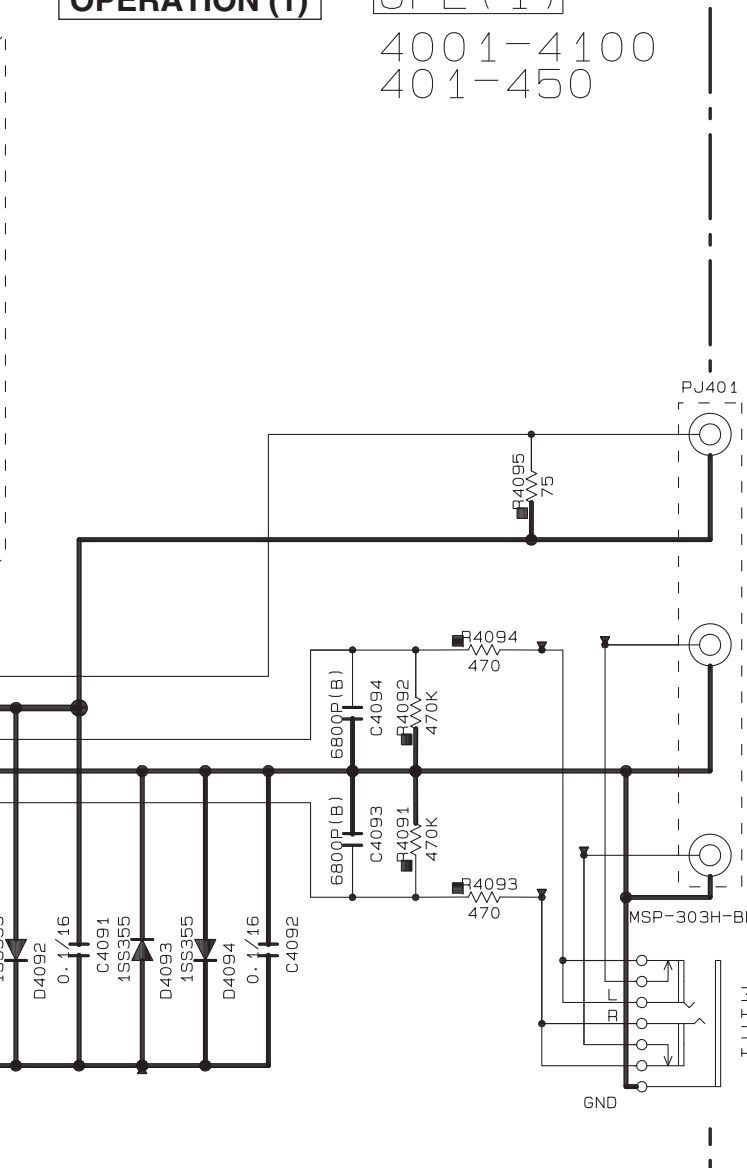
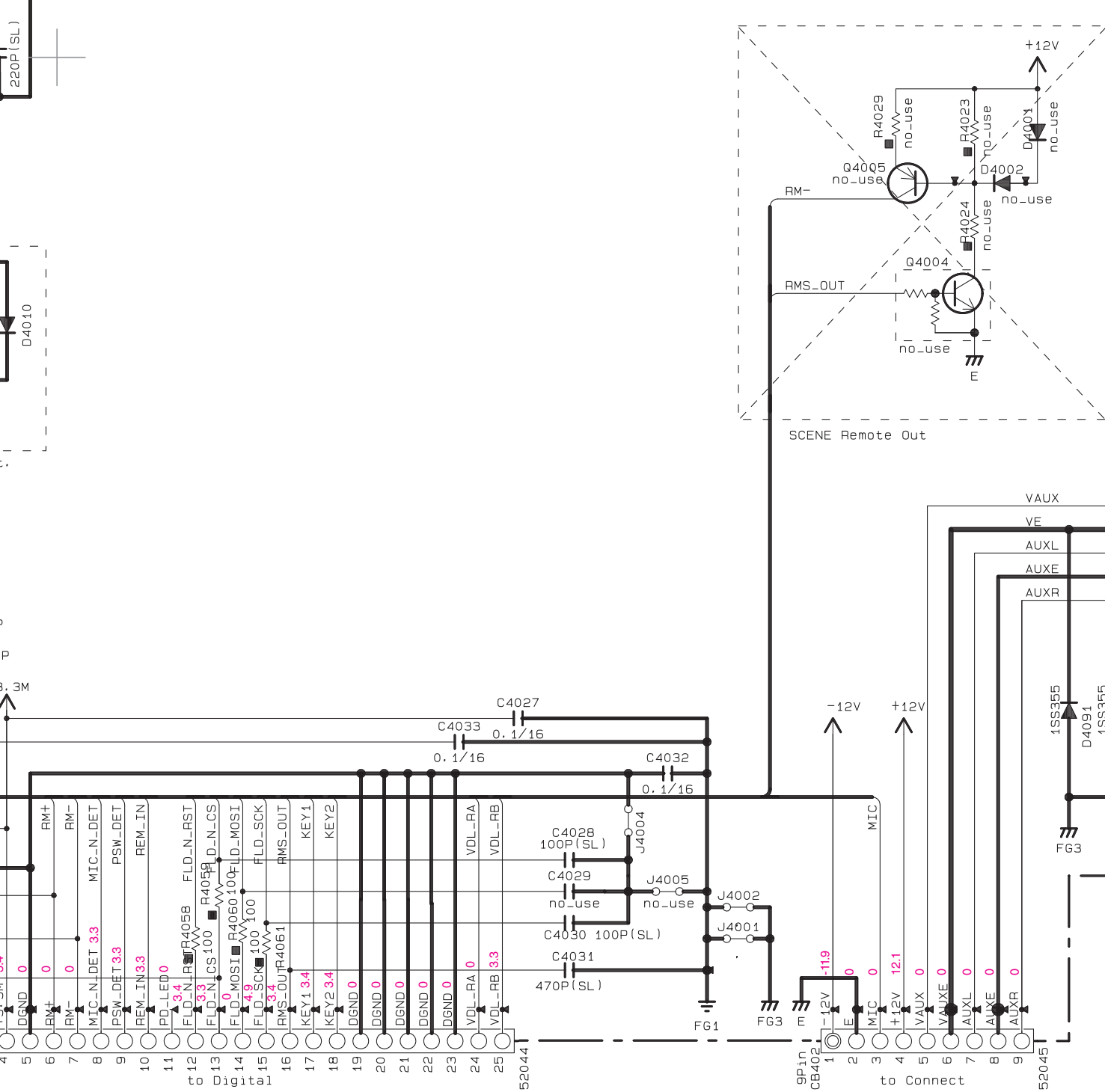
10



Key detection for A/D port  
Key input (A/D) pull-up resistance 10 k-ohms

Ohm	0	+ 1.0 k	+ 1.0 k	+ 1.5 k	+ 1.5 k	+ 2.2 k	+ 3.3 k	+ 4.7 k	22.0 k	33.0 k
V	0 - 0.15	0.15 - 0.42	0.43 - 0.70	0.71 - 0.97	0.98 - 1.24	1.25 - 1.53	1.54 - 1.84	1.85 - 2.22	2.23 - 2.62	2.63 - 3.04
A/D value (3.3 V=255)	0 - 11	12 - 32	33 - 54	55 - 75	76 - 96	97 - 119	120 - 142	143 - 163	182 - 197	198 - 209
KEY1 (133 pin)	RADIO (SCENE4)	CD (SCENE3)	TV (SCENE2)	BD/DVD (SCENE1)	-	-	INPUT >	INPUT <	(Power)	TONE CONTROL

Ohm	0	+ 1.0 k	+ 1.0 k	+ 1.5 k	+ 1.8 k	+ 2.2 k	+ 3.3 k	+ 4.7 k	+ 6.8 k	+ 10.0 k	+ 22.0 k	+ 68.0 k
V	0 - 0.15	0.16 - 0.42	0.43-0.70	0.71 - 0.99	1.00 - 1.27	1.28 - 1.56	1.57 - 1.86	1.87 - 2.14	2.15 - 2.39	2.40 - 2.65	2.66 - 2.91	2.92 - 3.17
A/D value (3.3 V=255)	0 - 11	12 - 32	33 - 54	55 - 77	78 - 99	100 - 121	122 - 144	145 - 166	167 - 186	187 - 205	206 - 226	227 - 246
KEY2 (134 pin)	-	TUNING >>	TUNING <<	AM	FM	PRESET >	PRESET <	MEMORY	INFO	STRAIGHT	PROGRAM >	PROGRAM <



Page 94 **B2**  
to DIGITAL\_CB20

Page 98 **M6**  
to OPERATION (2)\_CB461

- ★ All voltages are measured with a 10MΩ/V DC electronic voltmeter.
- ★ Components having special characteristics are marked Δ and must be replaced with parts having specifications equal to those originally installed.
- ★ Schematic diagram is subject to change without notice.

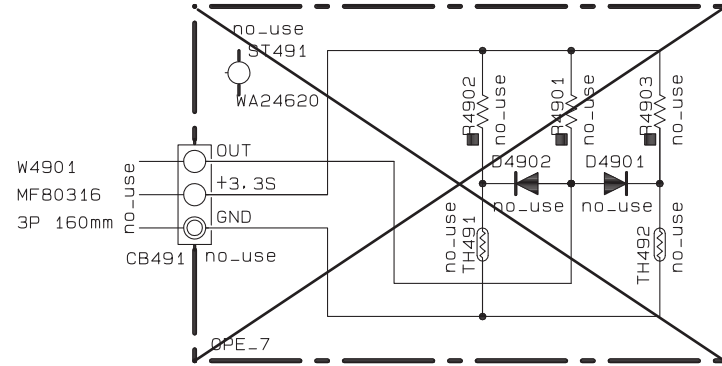
- 電圧は、内部抵抗 10MΩの電圧計で測定したものです。
- Δ印のある部品は、安全性確保部品を示しています。部品の交換が必要な場合、パーツリストに記載されている部品を使用してください。
- 本回路図は標準回路図です。改良のため予告なく変更することがあります。

A	B
C	D

A	B
C	D

RX-V467/HTR-4063

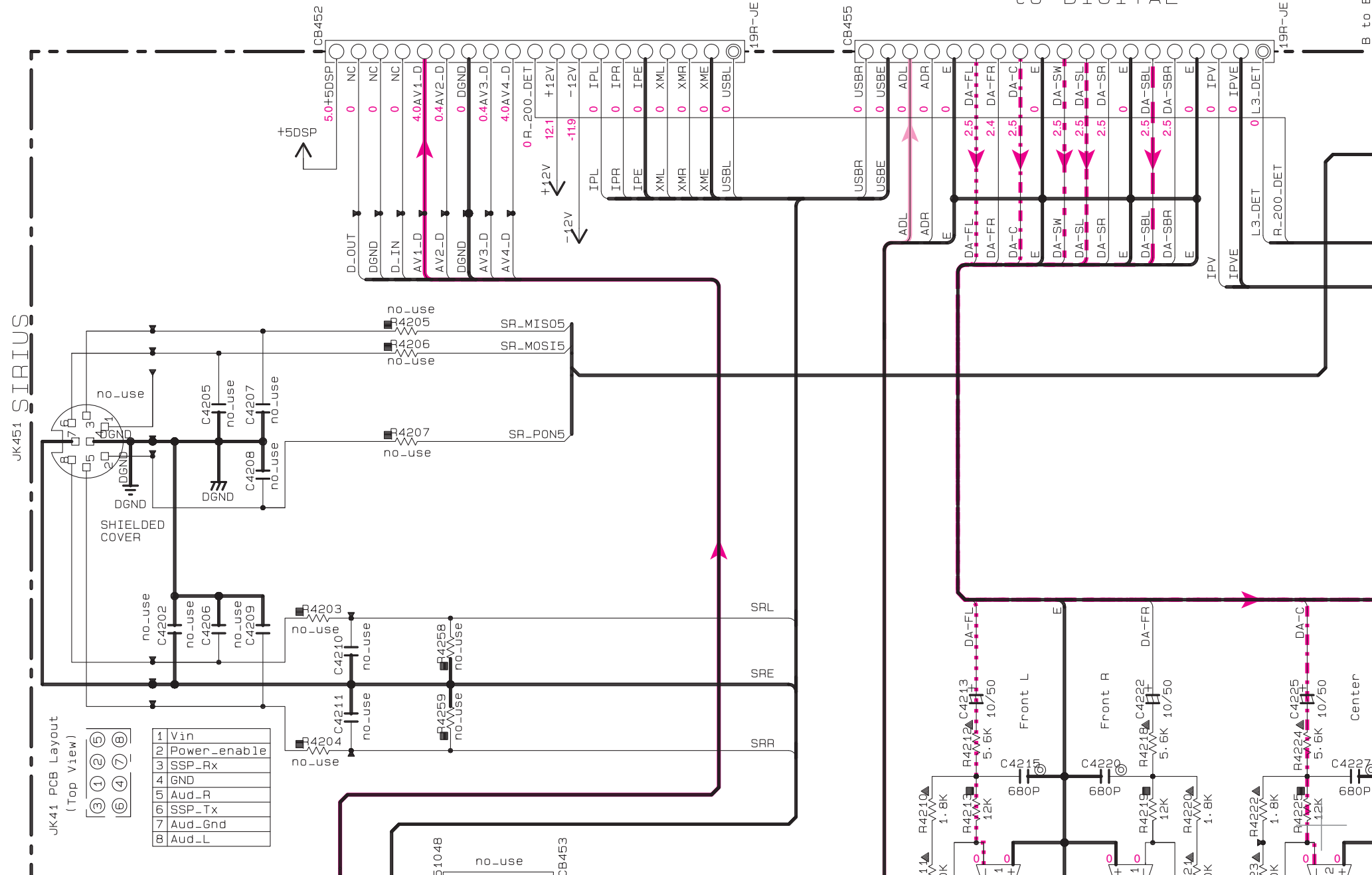
### OPERATION 2/2



Page 96 I2  
to DIGITAL\_CB61

Page 96 I4  
to DIGITAL\_CB62

to DIGITAL



JK451 SIRIUS

JK41 PCB Layout (Top View)

1	Vin
2	Power_enable
3	SSP_Rx
4	GND
5	Aud_R
6	SSP_Tx
7	Aud_Gnd
8	Aud_L

1  
2  
3  
4  
5

A	B
C	D

H

I

J

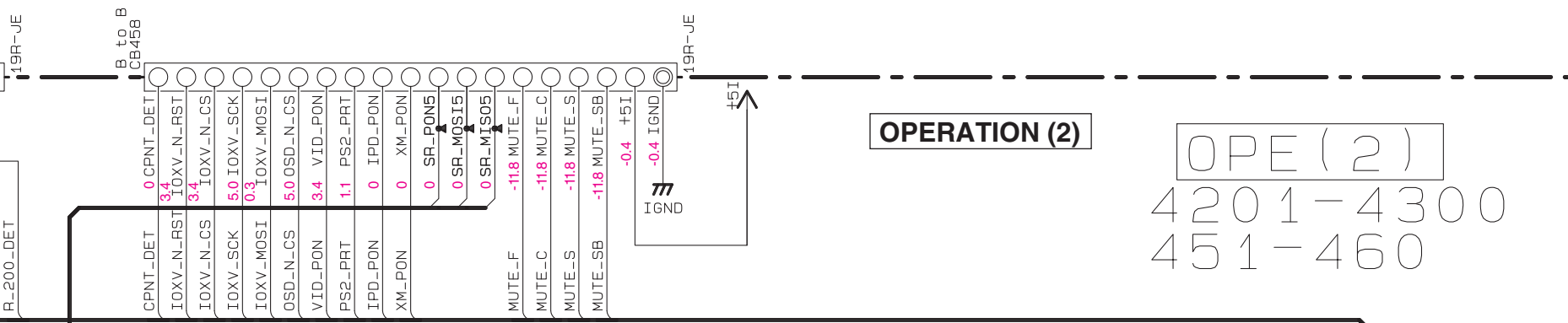
K

L

M

N

Page 96 I6  
to DIGITAL\_CB63



CAPACITOR

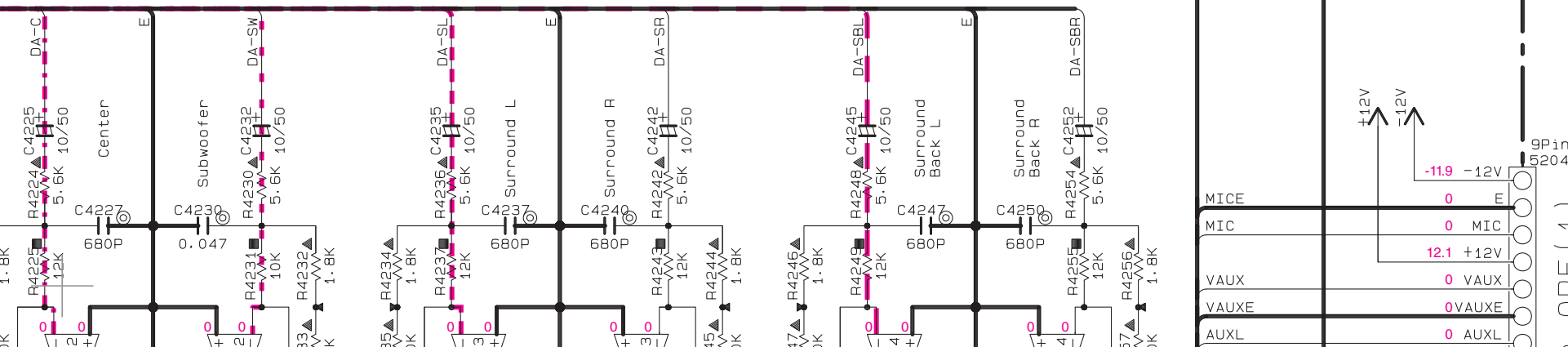
REMARKS	PARTS NAME	
NO MARK	ELECTROLYTIC CAPACITOR	⏏
⊗	TANTALUM CAPACITOR	⏏
NO MARK	CERAMIC CAPACITOR	
●	CERAMIC TUBULAR CAPACITOR	⏏
⊙	POLYESTER FILM CAPACITOR	
○	POLYSTYRENE FILM CAPACITOR	
⊖	MICA CAPACITOR	
⊕	POLYPROPYLENE FILM CAPACITOR	
⊗	SEMICONDUCTIVE CERAMIC CAPACITOR	
⊙	POLYPHENYLENE SULFIDE FILM CAPACITOR	

RESISTOR

REMARKS	PARTS NAME
NO MARK	CARBON FILM RESISTOR (P=5)
⊠	CARBON FILM RESISTOR (P=10)
△	METAL OXIDE FILM RESISTOR
▲	METAL FILM RESISTOR
⊠	METAL PLATE RESISTOR
▨	FIRE PROOF CARBON FILM RESISTOR
□	CEMENT MOLDED RESISTOR
⊗	SEMI VARIABLE RESISTOR
■	CHIP RESISTOR

NOTICE (model)

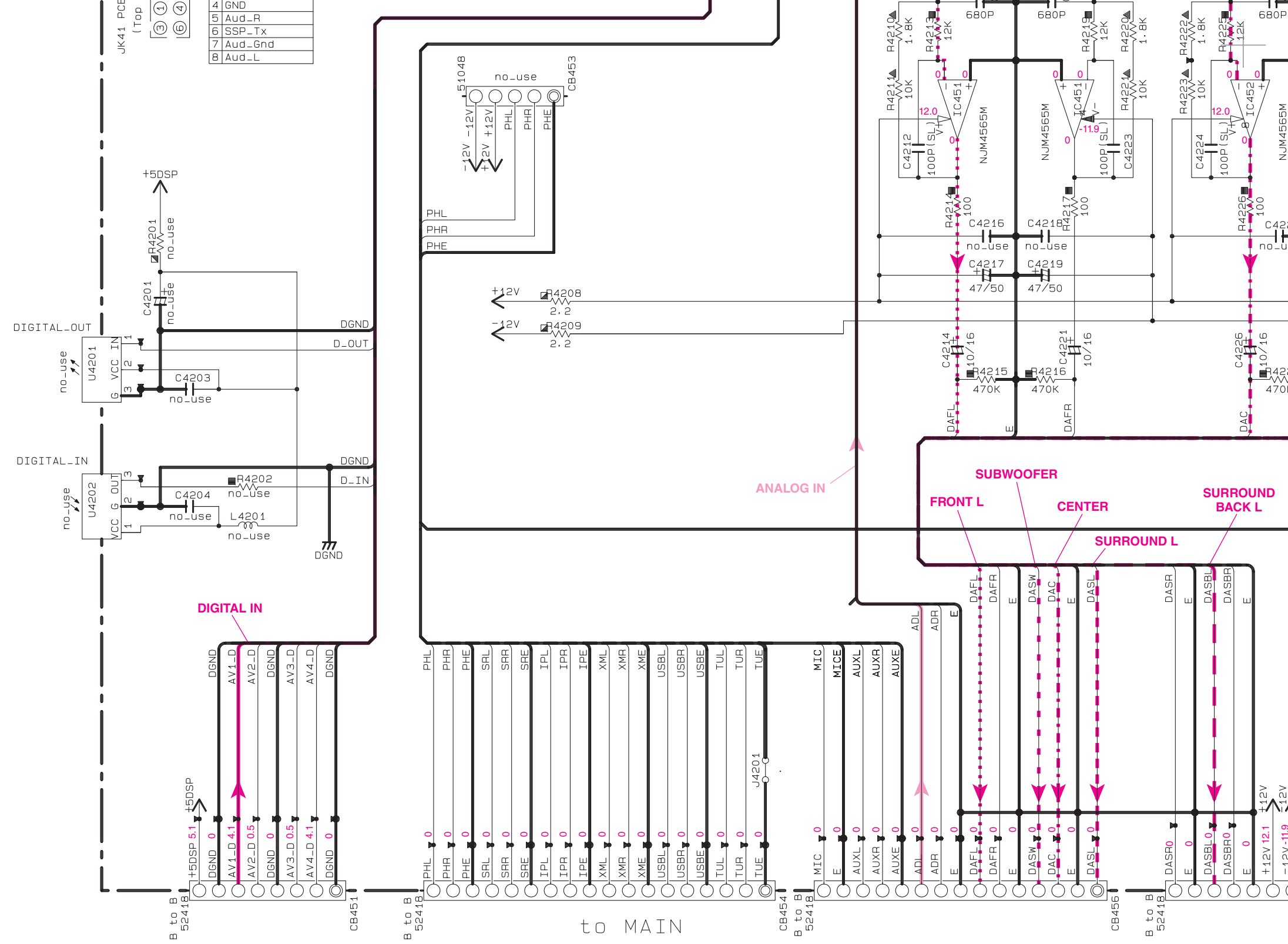
- (J)..... JAPAN
- (U)..... U.S.A
- (C)..... CANADA
- (R)..... GENERAL
- (T)..... CHINA
- (K)..... KOREA
- (A)..... AUSTRALIA
- (B)..... BRITISH
- (G)..... EUROPE
- (L)..... SINGAPORE
- (E)..... SOUTH EUROPE
- (V)..... TAIWAN
- (F)..... RUSSIAN
- (P)..... LATIN AMERICA
- (S)..... BRAZIL



Page 97 J9  
to OPERATION (1)\_CB402



6  
7  
8  
9  
10



Page 100 [A3]  
to MAIN (1)\_CB152

Page 100 [C5]  
to MAIN (1)\_CB153

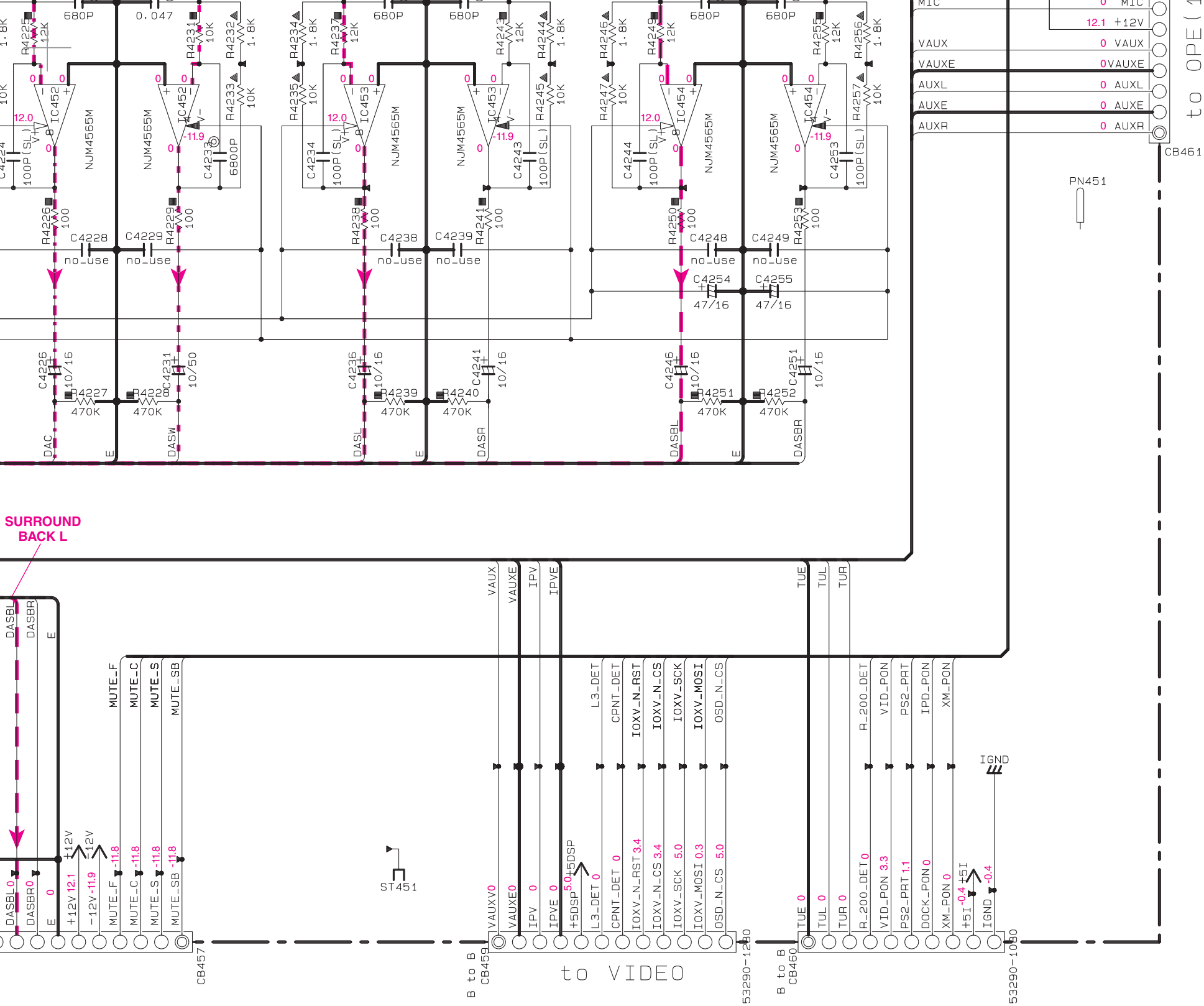
Page 100 [C6]  
to MAIN (1)\_CB154

Page 100  
to MAIN (1)\_CB155

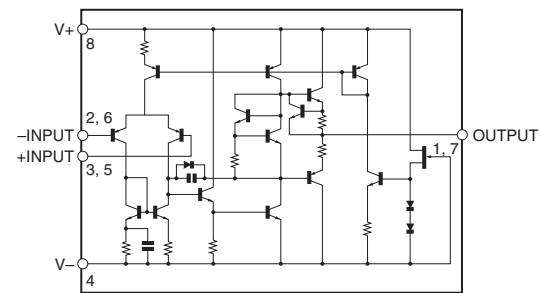
- ★ All voltages are measured with a 10MΩ/V DC electronic voltmeter.
- ★ Components having special characteristics are marked  $\Delta$  and must be replaced with parts having specifications equal to those originally installed.
- ★ Schematic diagram is subject to change without notice.

- 電圧は、内部抵抗 10MΩの電圧計で測定したものです。
- $\Delta$ 印のある部品は、安全性確保部品を示しています。部品の交換が必要な場合、パーツリストに記載されている部品を使用してください。
- 本回路図は標準回路図です。改良のため予告なく変更することがあります。

A	B
C	D



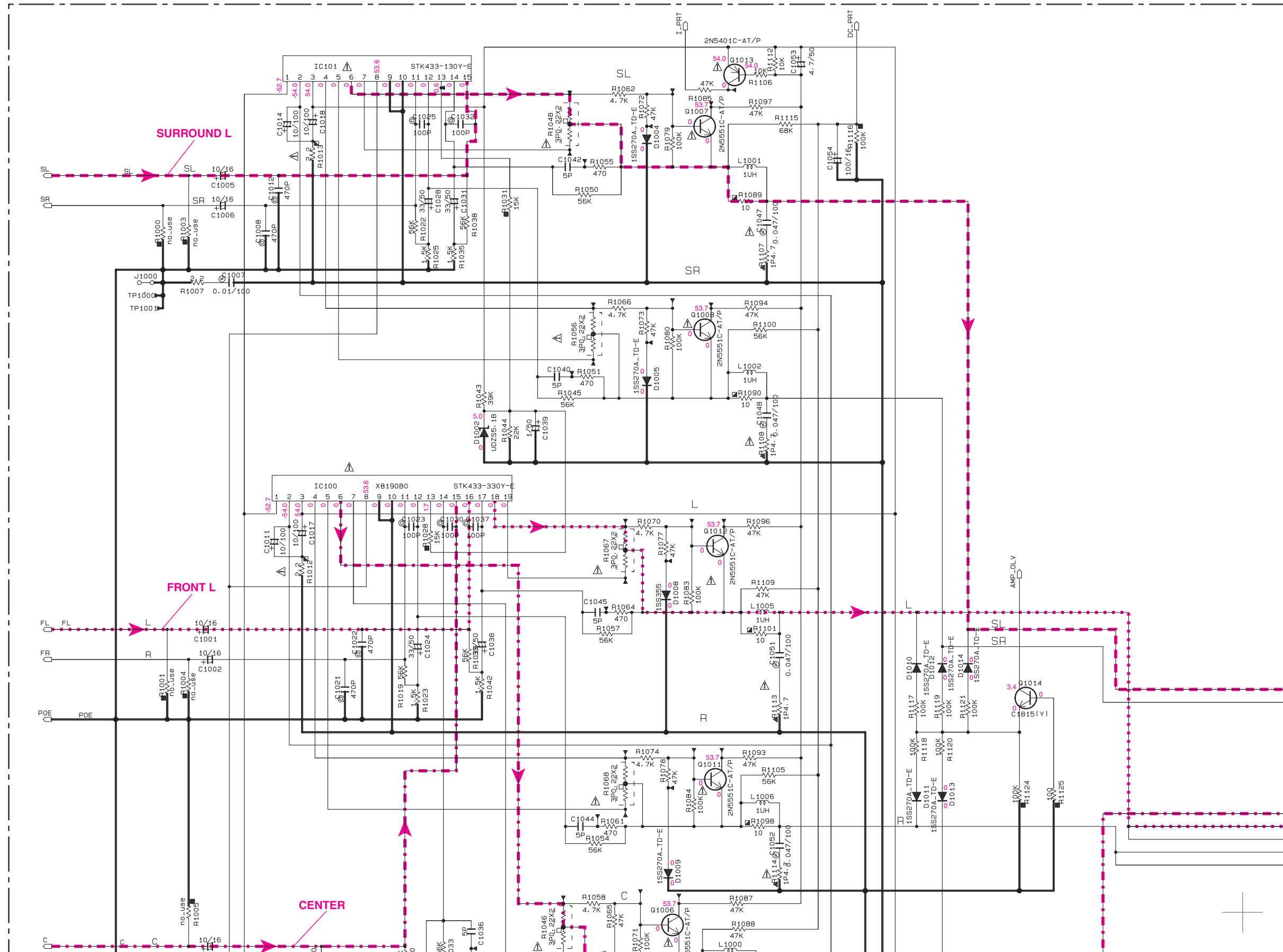
IC451-454: NJM4555M (TE1)  
Dual operational amplifier



A	B
C	D

A	B
C	D

MAIN 1/2



H

I

J

K

L

M

N

RX-V467/HTR-4063

MAIN (1)

Destination Part List					
sXX	LOC	JBGF	UCTKA	RS	L
s1	W1005B W1005A	X	X	WA76540 VH-5298T	WA76540 VH-5298T
s2	W1004B W1004A	X	X	MH08030	MH08030
s3	W1000B W1000A	X	X	MH04030	MH04030
s4	W1002B W1002A	X	X	MH03030	MH03030
s5	W1003B W1003A	X	X	MH09030	MH09030
s6	W1005B W1005A	X	X	MH06030	MH06030
s7	W1001B W1001A	X	X	MH02030	MH02030
s9	SW101	X	X	WB49370 RB140246	WD07370 RB140254
s10	F1000	X	X	VV07170 3-15A250V	X
s11	CB158 CB159	X	X	WN07770 PFC5000-0202F	X
s12	C1056 C1055	WN33130 6800/71	WE51420 6800/63	WE51420 6800/63	WE51420 6800/63
s13	J1001	X	X	X	VN50000

RESISTOR

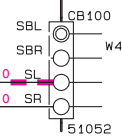
REMARKS	PARTS NAME
NO MARK	CARBON FILM RESISTOR (P=5)
□	CARBON FILM RESISTOR (P=10)
△	METAL OXIDE FILM RESISTOR
▲	METAL FILM RESISTOR
⊠	METAL PLATE RESISTOR
■	FIRE PROOF CARBON FILM RESISTOR
□	CEMENT MOLDED RESISTOR
⊗	SEMI VARIABLE RESISTOR
■	CHIP RESISTOR

CAPACITOR

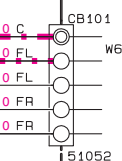
REMARKS	PARTS NAME
NO MARK	ELECTROLYTIC CAPACITOR
⊗	TANTALUM CAPACITOR
NO MARK	CERAMIC CAPACITOR
●	CERAMIC TUBULAR CAPACITOR
⊙	POLYESTER FILM CAPACITOR
○	POLYSTYRENE FILM CAPACITOR
①	MICA CAPACITOR
Ⓟ	POLYPROPYLENE FILM CAPACITOR
Ⓢ	SEMICONDUCTIVE CERAMIC CAPACITOR
Ⓣ	POLYPHENYLENE SULFIDE FILM CAPACITOR

NOTICE (model)

- (J)..... JAPAN
- (U)..... U. S. A
- (C)..... CANADA
- (R)..... GENERAL
- (T)..... CHINA
- (K)..... KOREA
- (A)..... AUSTRALIA
- (B)..... BRITISH
- (G)..... EUROPE
- (L)..... SINGAPORE
- (E)..... SOUTH EUROPE
- (V)..... TAIWAN
- (F)..... RUSSIAN
- (P)..... LATIN AMERICA
- (S)..... BRAZIL



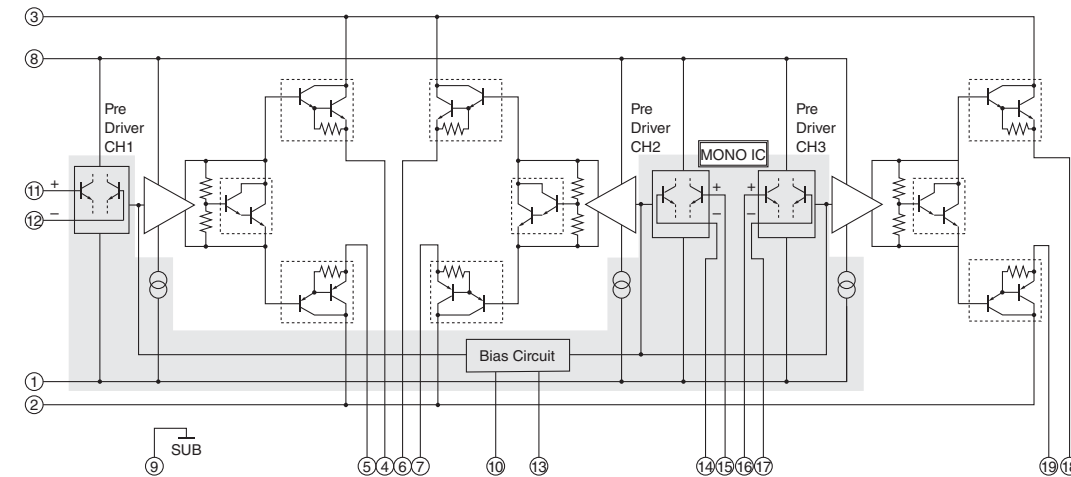
Page 102 **B6**  
to VIDEO (1)\_CB343



Page 102 **B6**  
to VIDEO (1)\_CB342

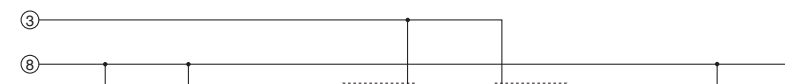
IC100: STK433-330Y-E

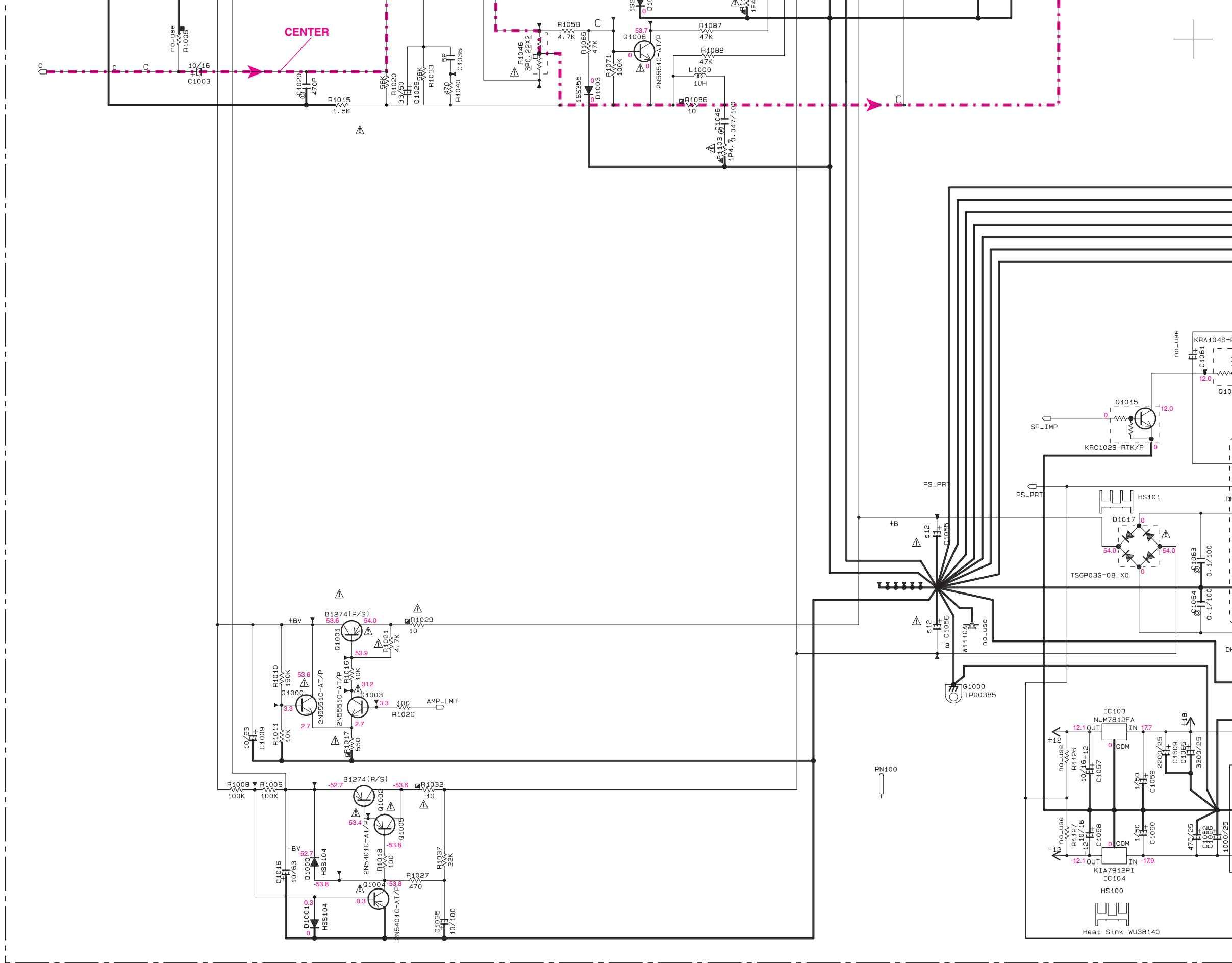
3-channel AF power amplifier, stand-by circuit built-in



IC101: STK433-130Y-E

2-channel AF power amplifier, stand-by circuit built-in

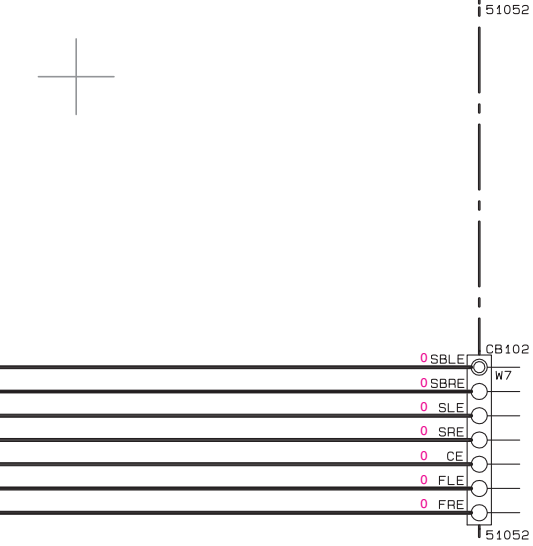




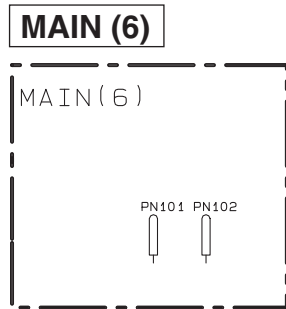
RX-V467/HTR-4063

A	B
C	D

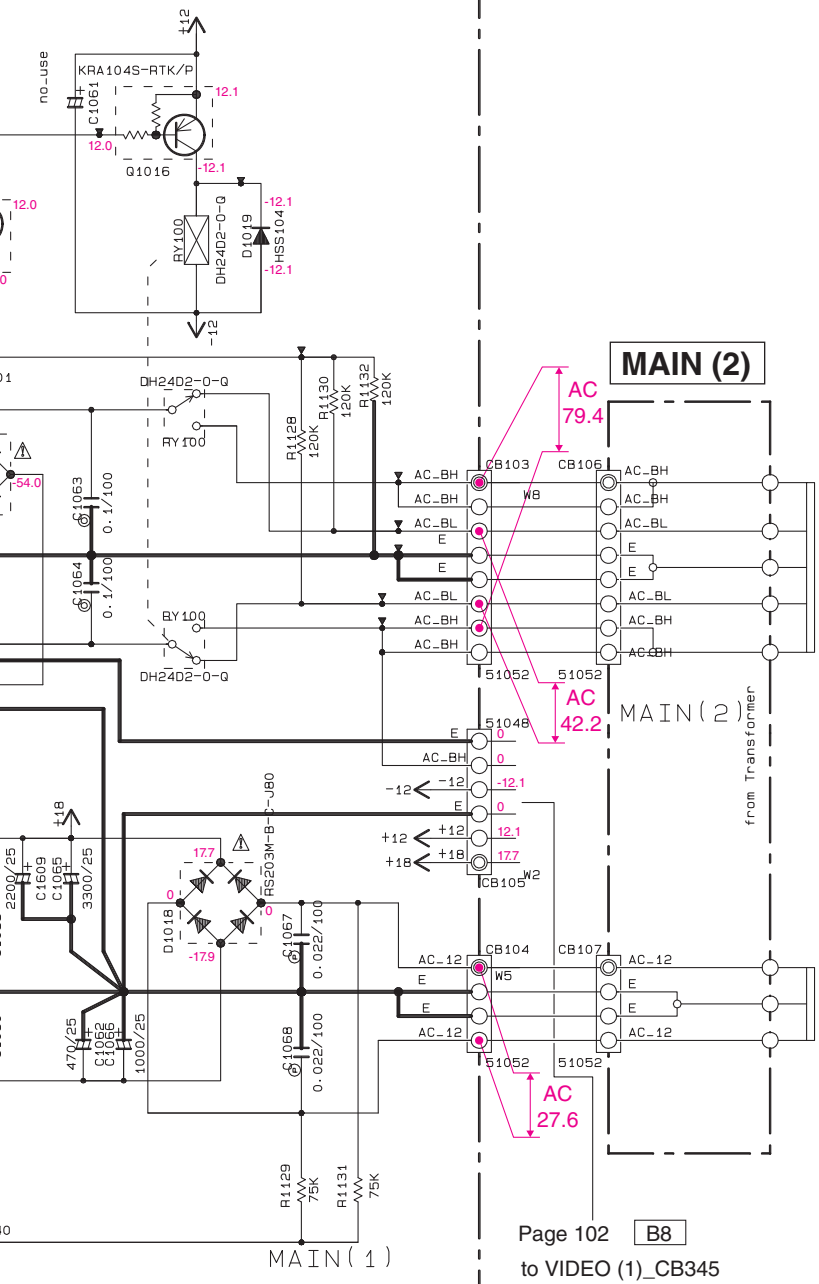
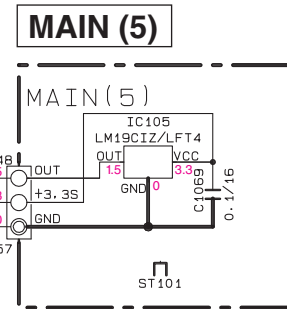
MAIN 1/2



Page 102 **B7**  
to VIDEO (1)\_CB344

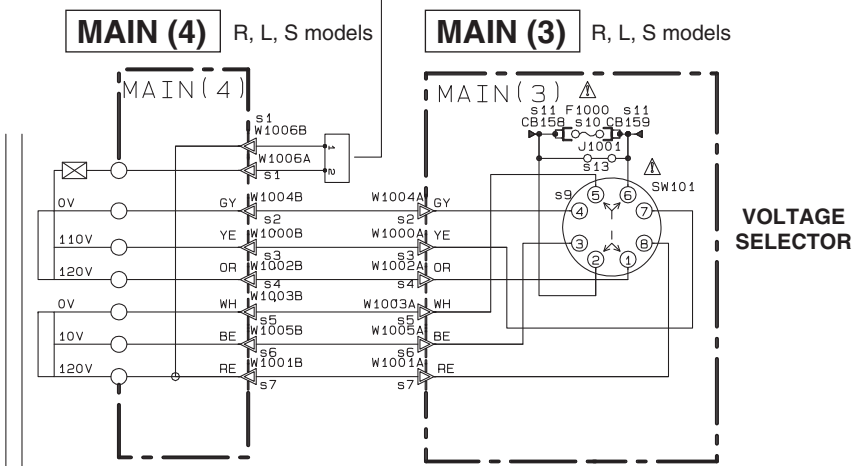


Page 94 **D2**  
to DIGITAL\_CB22



Page 102 **B8**  
to VIDEO (1)\_CB345

Page 103 **D7**  
to VIDEO (2)\_CB378



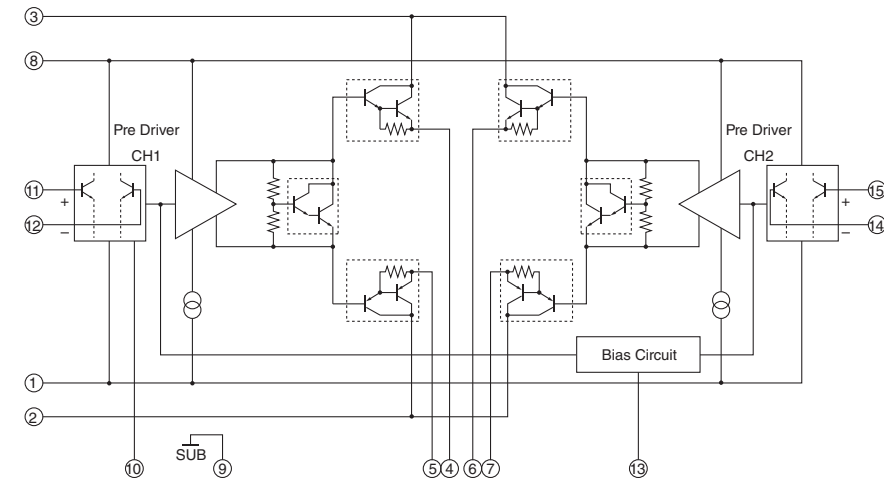
POWER TRANSFORMER

VOLTAGE SELECTOR

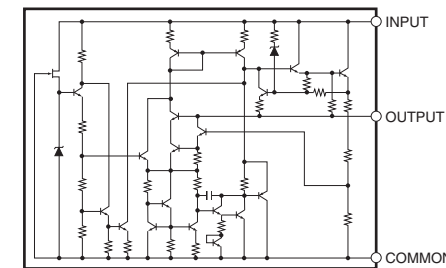
230-240V	1-2/5-6	R, L, S models
220V	2-3/6-7	R, L, S models
110V	3-4/7-8	R, S models
120V	4-5/8-1	R, S models

- ★ All voltages are measured with a 10MΩ/V DC electronic voltmeter.
- ★ Components having special characteristics are marked Δ and must be replaced with parts having specifications equal to those originally installed.
- ★ Schematic diagram is subject to change without notice.

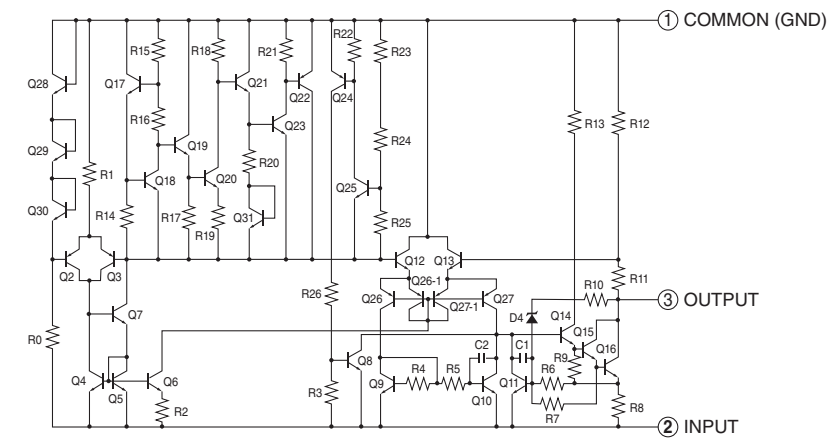
IC101: STK433-130Y-E  
2-channel AF power amplifier, stand-by circuit built-in



IC103: NJM7812FA  
Voltage regulator



IC104: KIA7912PI  
Voltage regulator



- 電圧は、内部抵抗 10MΩの電圧計で測定したものです。
- Δ印のある部品は、安全性確保部品を示しています。部品の交換が必要な場合、パーツリストに記載されている部品を使用してください。
- 本回路図は標準回路図です。改良のため予告なく変更することがあります。

A	B
C	D



A	B
C	D

RX-V467/HTR-4063

MAIN 2/2

1

2

3

4

5

A

B

C

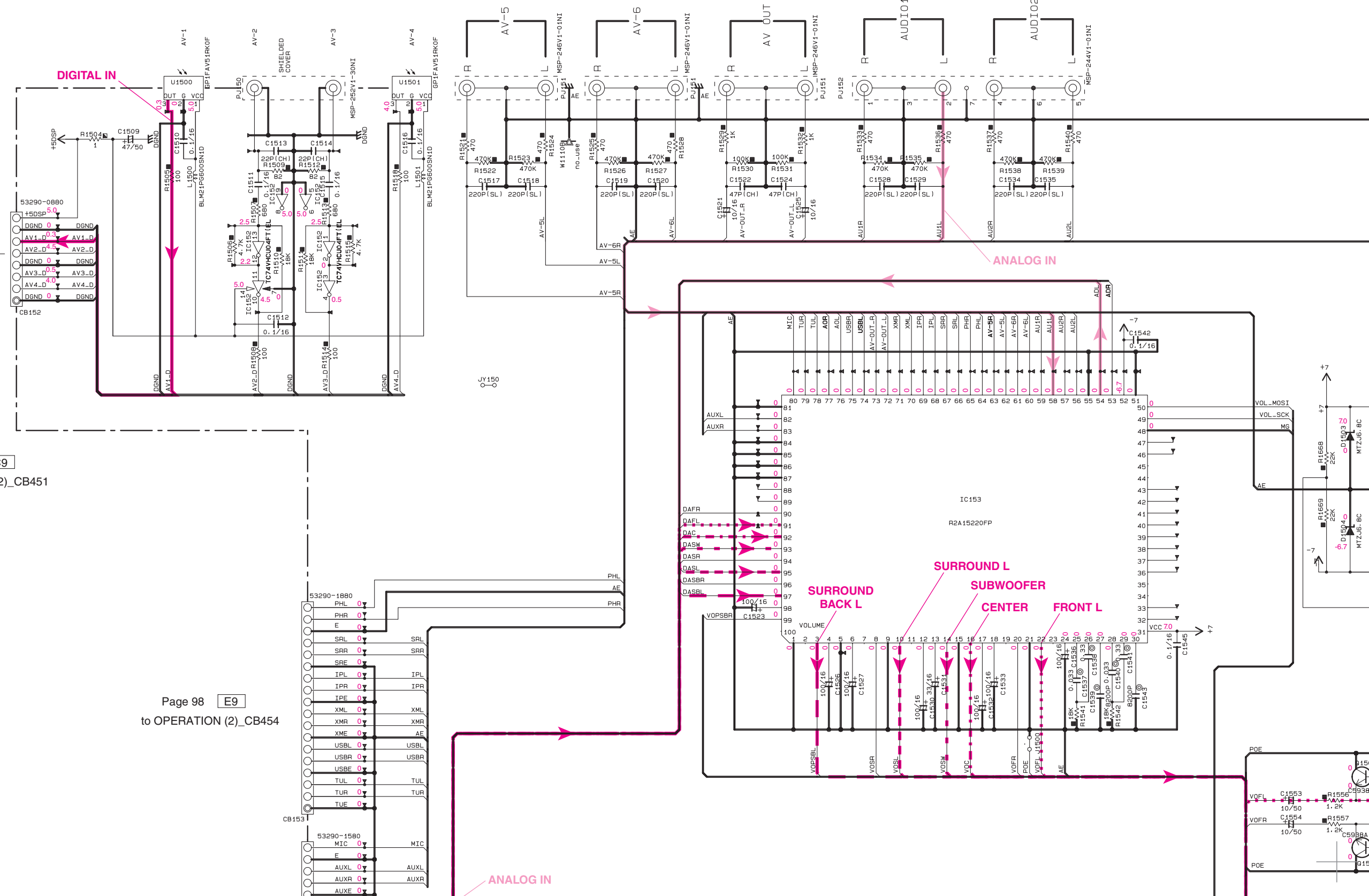
D

E

F

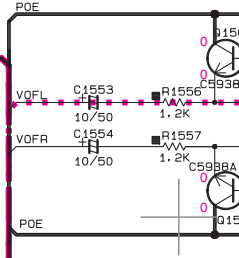
G

— AV 1 — AV 2 — AV 3 — AV 4 — AV 5 — AV 6 — AV OUT — AUDIO1 — AUDIO2 —  
 OPTICAL COAXIAL COAXIAL (CD) OPTICAL (TV) MSP-246V1-01NI MSP-246V1-01NI MSP-246V1-01NI MSP-246V1-01NI MSP-246V1-01NI



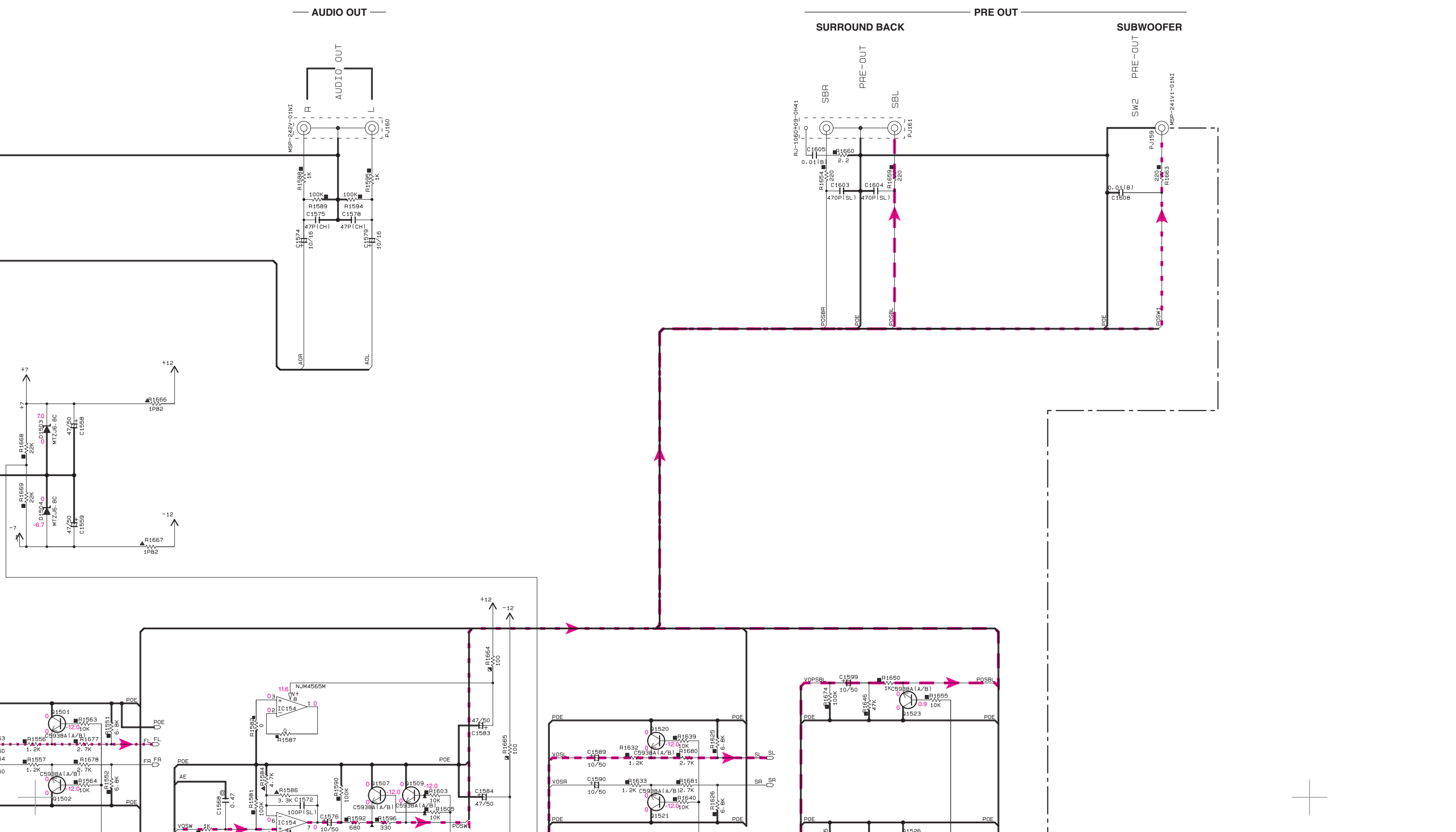
Page 98 C9 to OPERATION (2)\_CB451

Page 98 E9 to OPERATION (2)\_CB454



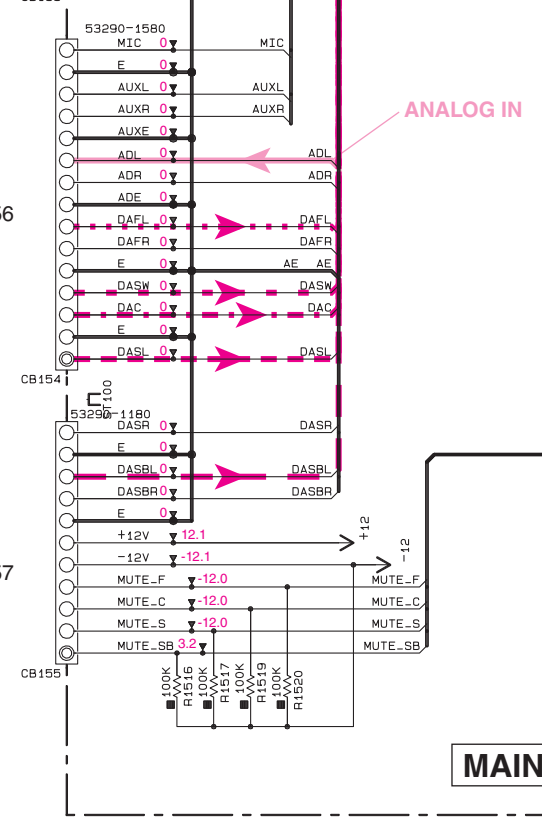
A	B
C	D

H I J K L M N



6

Page 98 G9  
to OPERATION (2)\_CB456



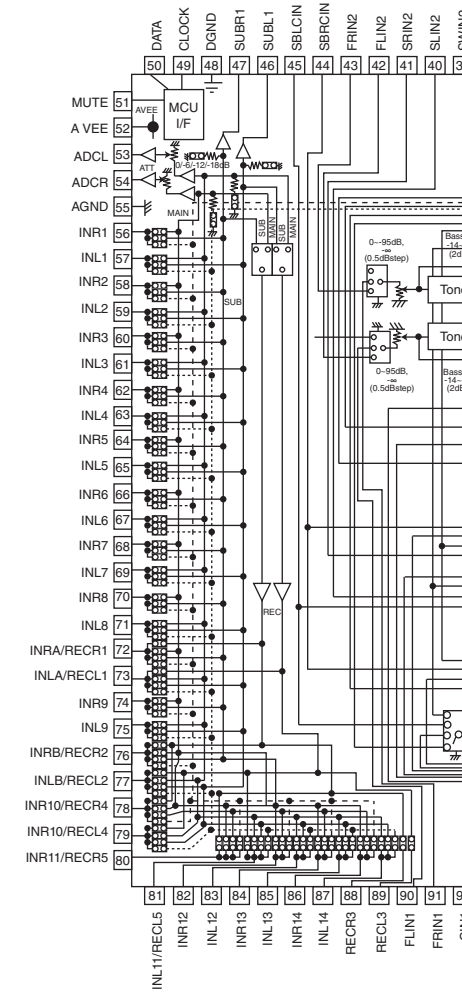
Page 98 H9  
to OPERATION (2)\_CB457

MAIN (1)

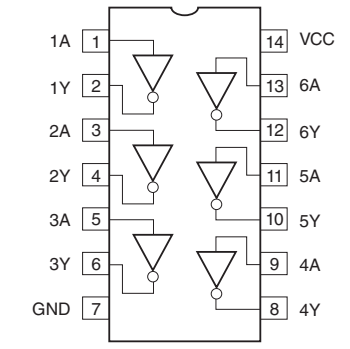
7

8

IC153: R2A15220FP  
8-channel electronic volume with 11 inputs



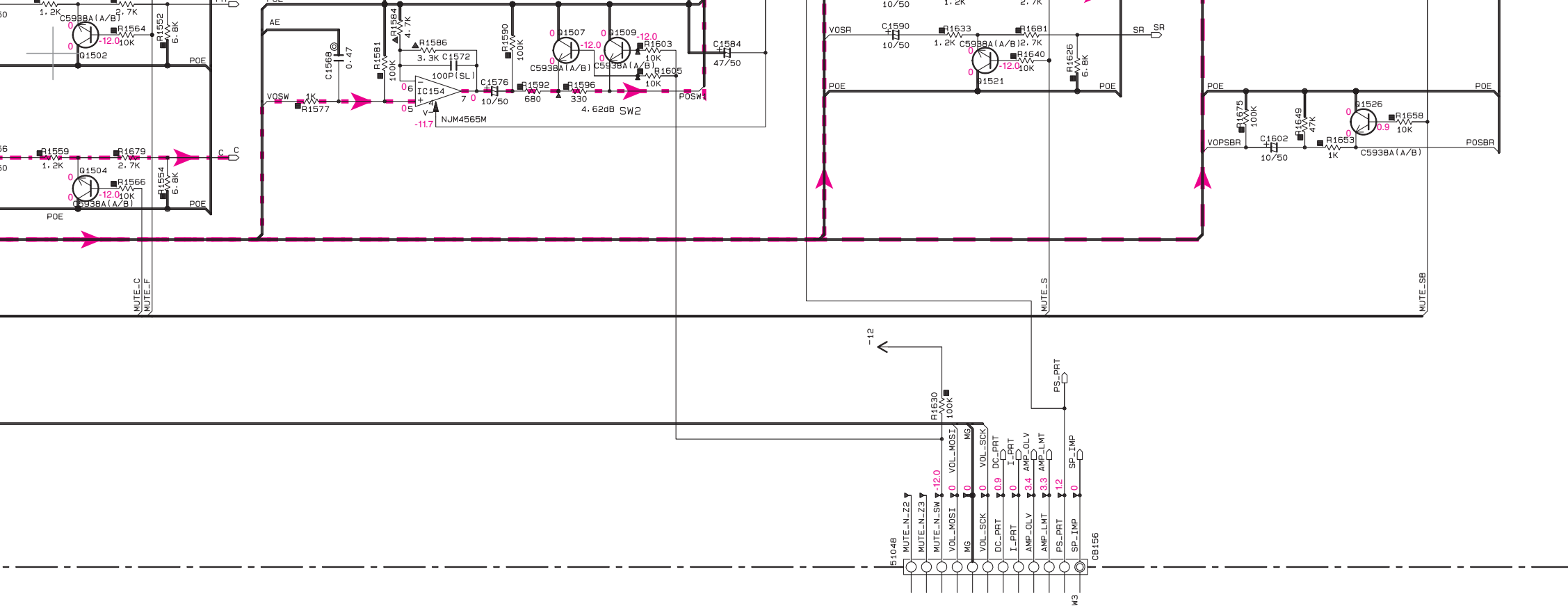
IC152: TC74VHCU04FT  
Hex inverters



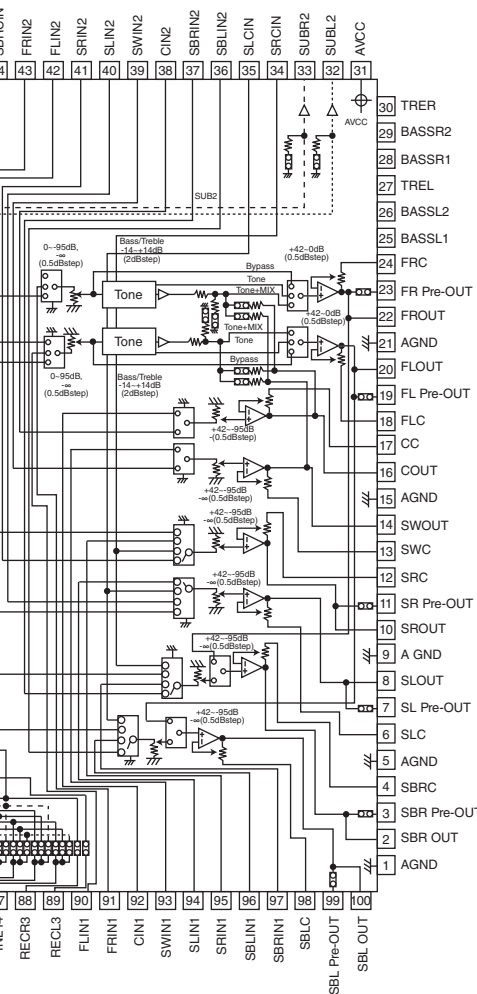
- ★ All voltages are measured with a 10MΩ/V DC electronic voltmeter.
- ★ Components having special characteristics are marked Δ and must be replaced with parts having specifications equal to those originally installed.
- ★ Schematic diagram is subject to change without notice.

- 電圧は、内部抵抗 10MΩの電圧計で測定したものです。
- Δ印のある部品は、安全性確保部品を示しています。部品の交換が必要な場合、パーツリストに記載されている部品を使用してください。
- 本回路図は標準回路図です。改良のため予告なく変更することがあります。

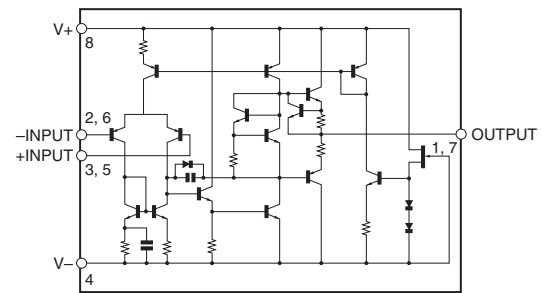
100



Line with 11 input selector and tone control



IC154: NJM4565M (TE1)  
Dual operational amplifier



NOTICE (model)  
(J)..... JAPAN  
(U)..... U. S. A  
(C)..... CANADA  
(R)..... GENERAL  
(T)..... CHINA  
(K)..... KOREA  
(A)..... AUSTRALIA  
(B)..... BRITISH  
(G)..... EUROPE  
(L)..... SINGAPORE  
(E)..... SOUTH EUROPE  
(V)..... TAIWAN  
(F)..... RUSSIAN  
(P)..... LATIN AMERICA  
(S)..... BRAZIL

RESISTOR

REMARKS	PARTS NAME
NO MARK	CARBON FILM RESISTOR (P=5)
☒	CARBON FILM RESISTOR (P=10)
△	METAL OXIDE FILM RESISTOR
▲	METAL FILM RESISTOR
☒	METAL PLATE RESISTOR
⊠	FIRE PROOF CARBON FILM RESISTOR
□	CEMENT MOLDED RESISTOR
⊗	SEMI VARIABLE RESISTOR
■	CHIP RESISTOR

CAPACITOR

REMARKS	PARTS NAME	
NO MARK	ELECTROLYTIC CAPACITOR	#
⊗	TANTALUM CAPACITOR	#
NO MARK	CERAMIC CAPACITOR	
●	CERAMIC TUBULAR CAPACITOR	
⊙	POLYESTER FILM CAPACITOR	
○	POLYSTYRENE FILM CAPACITOR	
⊖	MICA CAPACITOR	
⊕	POLYPROPYLENE FILM CAPACITOR	
●	SEMICONDUCTIVE CERAMIC CAPACITOR	

A	B
C	D

VIDEO 1/3

1

2

3

4

5

COMPONENT VIDEO

VIDEO

AV OUT

AV 1 AV1

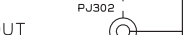
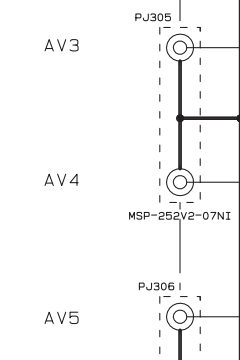
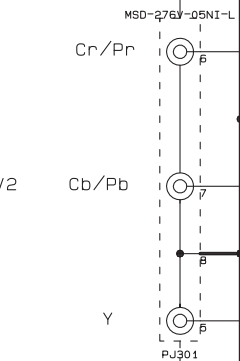
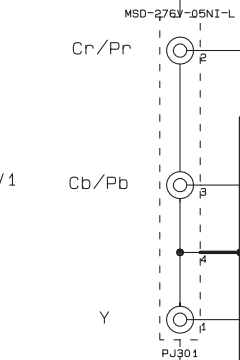
AV 2 AV2

AV 3 AV3

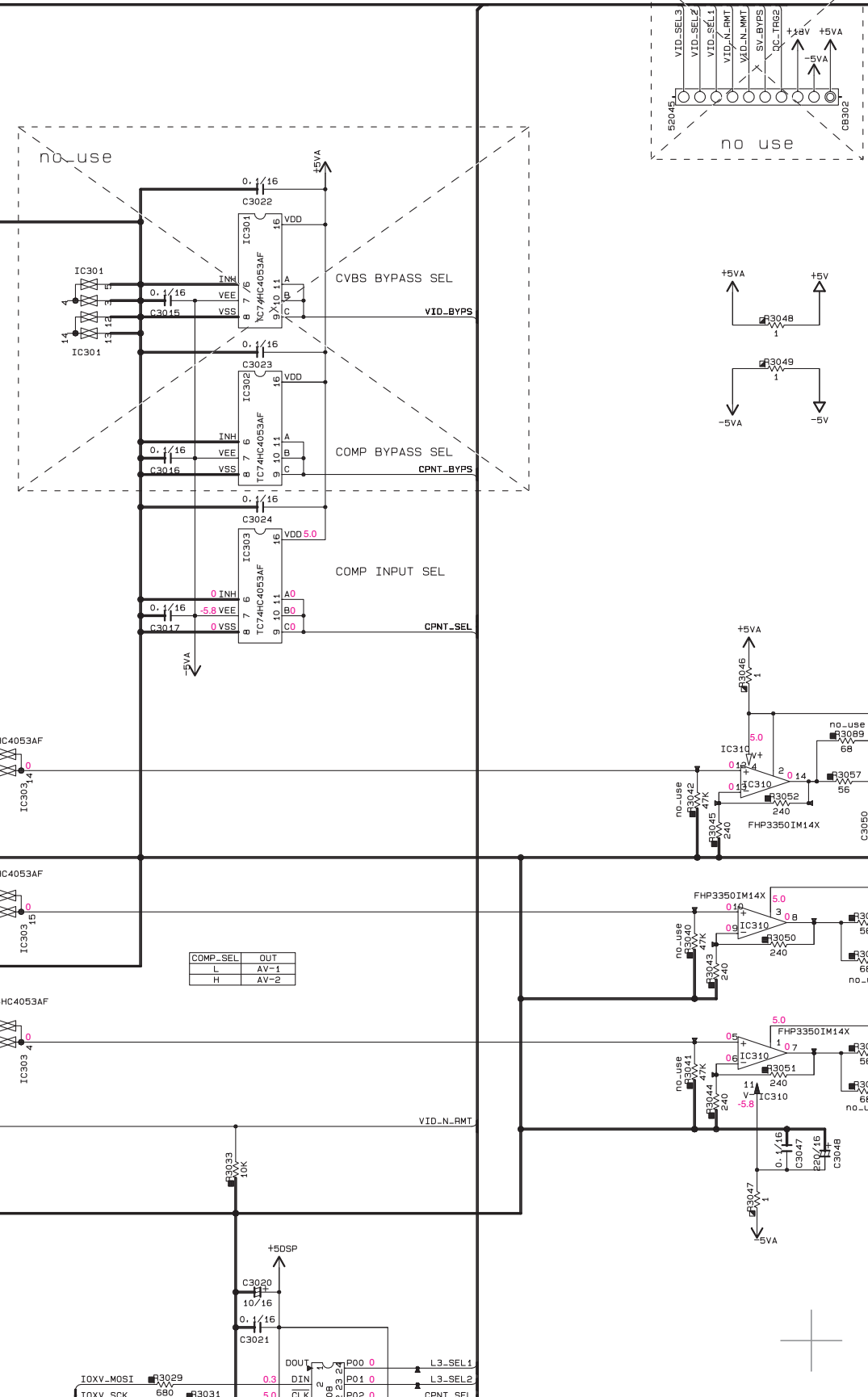
AV 4 AV4

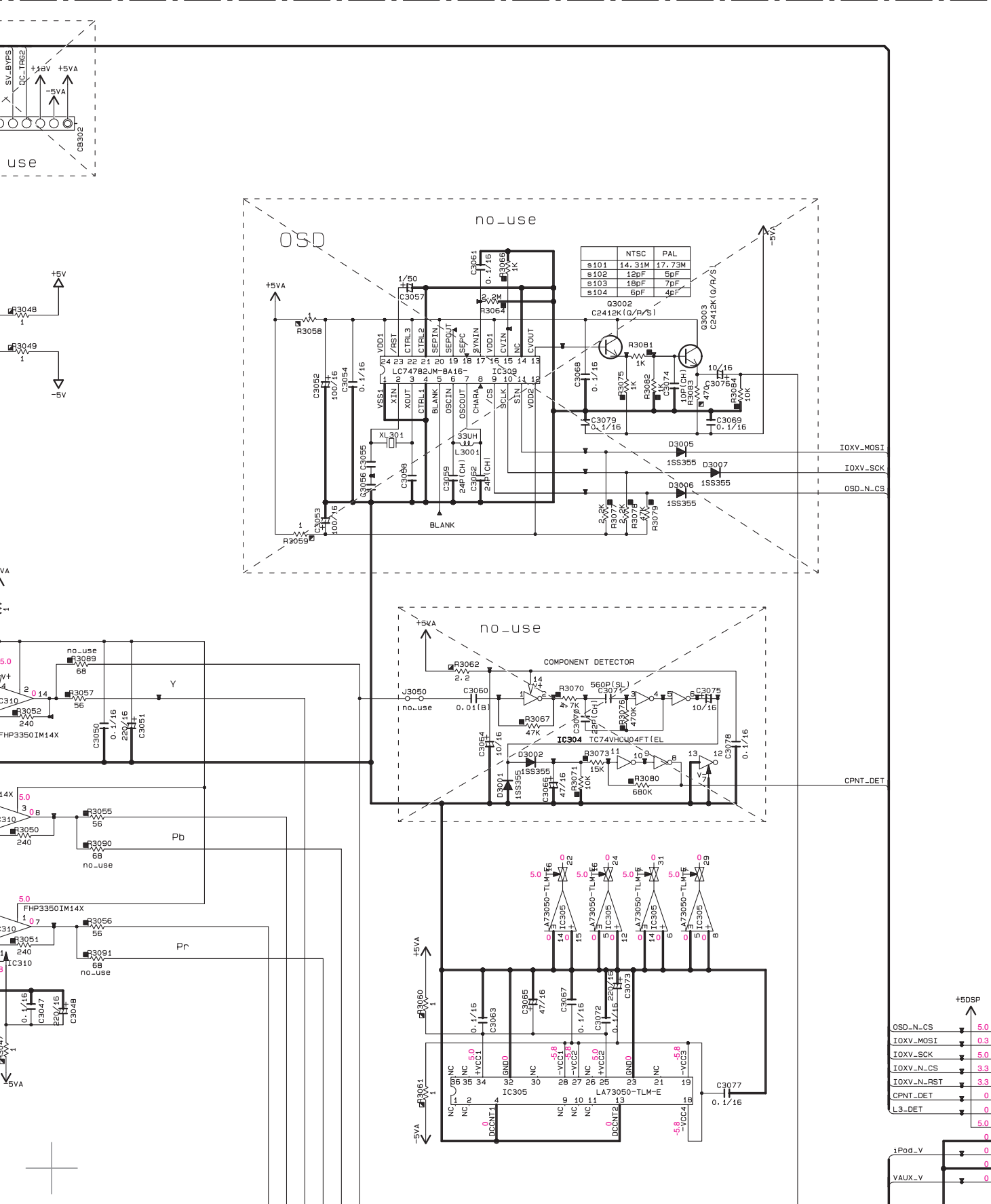
AV 5 AV5

AV 6 AV6



Page 103 H6  
to VIDEO (8)\_CB354  
(J model)





NOTICE (model)

- (J)..... JAPAN
- (U)..... U. S. A
- (C)..... CANADA
- (R)..... GENERAL
- (T)..... CHINA
- (K)..... KOREA
- (A)..... AUSTRALIA
- (B)..... BRITISH
- (G)..... EUROPE
- (L)..... SINGAPORE
- (E)..... SOUTH EUROPE
- (V)..... TAIWAN
- (F)..... RUSSIAN
- (P)..... LATIN AMERICA
- (S)..... BRAZIL

RESISTOR

REMARKS	PARTS NAME
NO MARK	CARBON FILM RESISTOR (P=5)
□	CARBON FILM RESISTOR (P=10)
△	METAL OXIDE FILM RESISTOR
▲	METAL FILM RESISTOR
⊠	METAL PLATE RESISTOR
■	FIRE PROOF CARBON FILM RESISTOR
□	CEMENT MOLDED RESISTOR
⊗	SEMI VARIABLE RESISTOR
■	CHIP RESISTOR

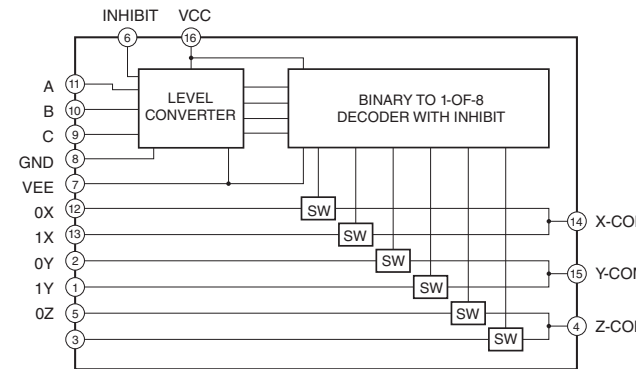
CAPACITOR

REMARKS	PARTS NAME	
NO MARK	ELECTROLYTIC CAPACITOR	14
⊗	TANTALUM CAPACITOR	
NO MARK	CERAMIC CAPACITOR	
●	CERAMIC TUBULAR CAPACITOR	
⊙	POLYESTER FILM CAPACITOR	11
○	POLYSTYRENE FILM CAPACITOR	
①	MICA CAPACITOR	
⊕	POLYPROPYLENE FILM CAPACITOR	
●	SEMICONDUCTIVE CERAMIC CAPACITOR	

Destination Part List

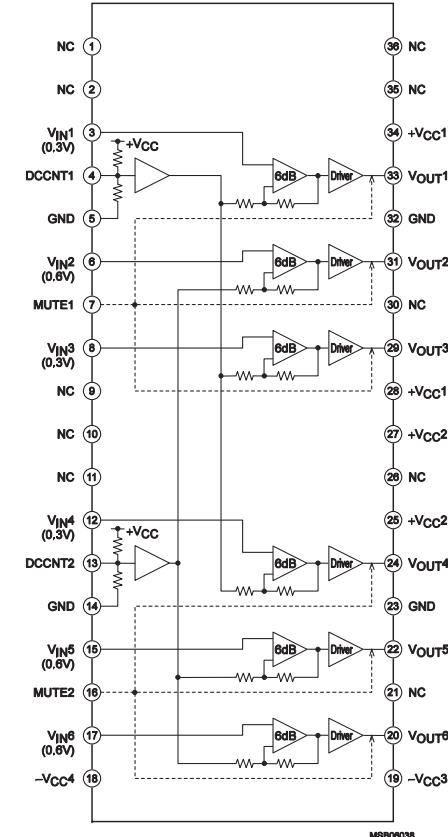
sXX	LOC	J	UC	RS	T	A	BGF	L	K
s110	CB301	V004770 52045	X	X	X	X	X	X	X
s111	R3086 R3087 R3085	R035475 75	X	X	X	X	X	X	X

IC303: TC74HC4053AF  
Analog multiplexer/demultiplexer



INPUT STATES				"ON" CHANNEL (S)
INHIBIT	C	B	A	
0	0	0	0	0X, 0Y, 0Z
0	0	0	1	1X, 0Y, 0Z
0	0	1	0	0X, 1Y, 0Z
0	0	1	1	1X, 1Y, 0Z
0	1	0	0	0X, 0Y, 1Z
0	1	0	1	1X, 0Y, 1Z
0	1	1	0	0X, 1Y, 1Z
0	1	1	1	1X, 1Y, 1Z
1	X	X	X	NONE

IC305: LA73050-TLM-E  
6-channel 75-ohm video driver





6

7

8

9

10

MONITOR OUT

COMPONENT VIDEO

MON OUT VIDEO

LPR6520-6010FM

Monitor Cb/Pb

Cr/Pr

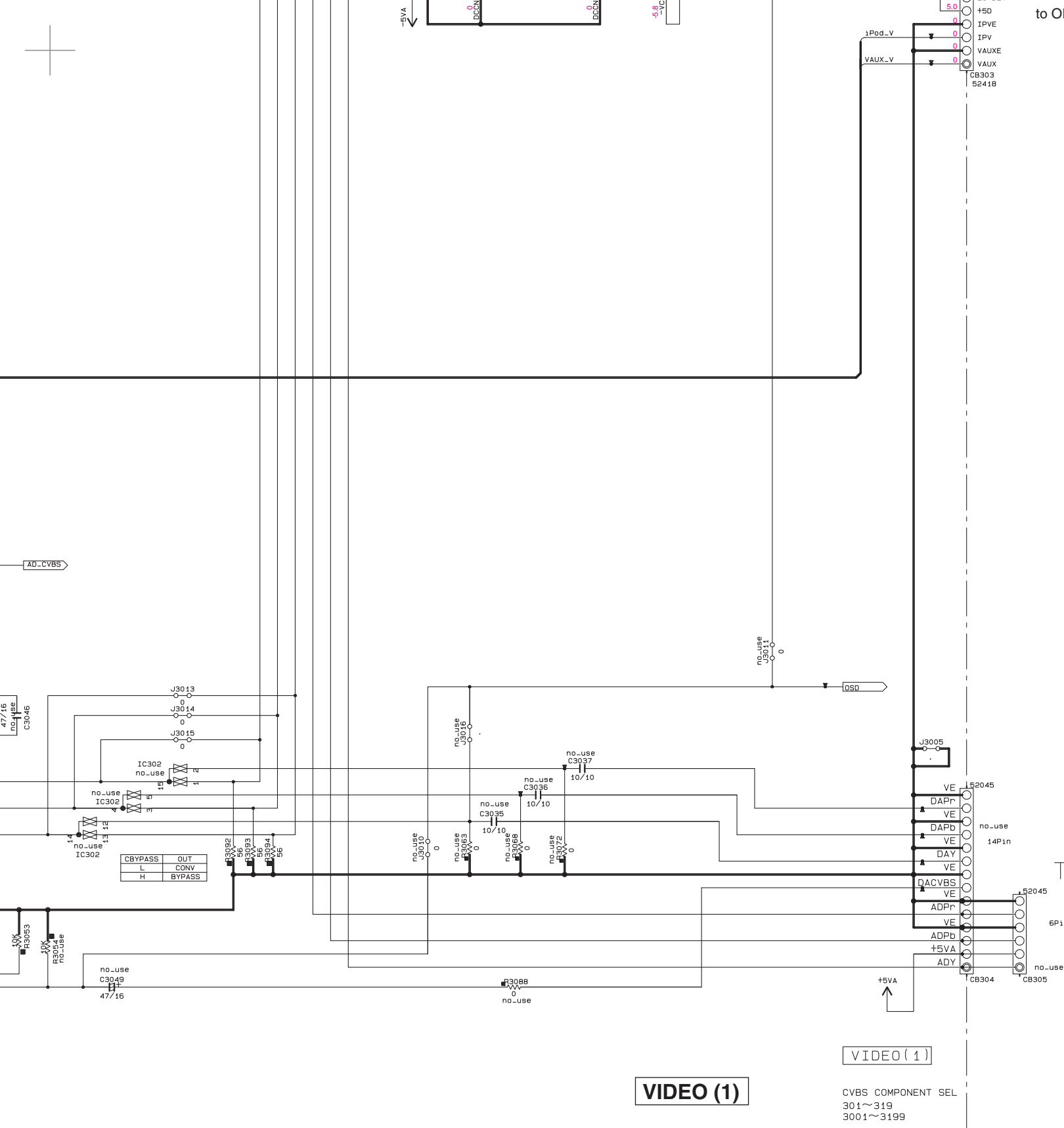
MSP-241V-02NI

VID_SEL3	VID_SEL2	VID_SEL1	OUT
L	L	L	MUTE
L	L	H	AV-5
L	H	L	AV-4
L	H	H	AV-6
H	L	L	AV-3
H	L	H	1Pod
H	H	L	MUTE
H	H	H	V-AUX

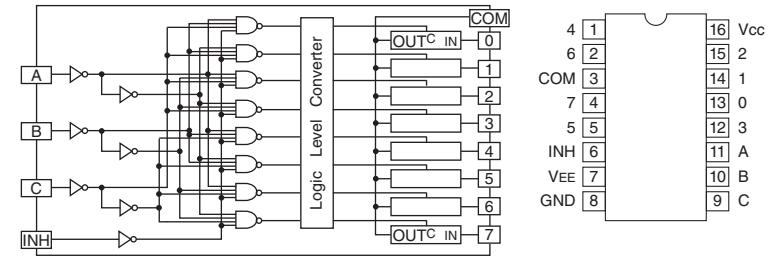
OUTPUT AMP

INPUT SELECTOR

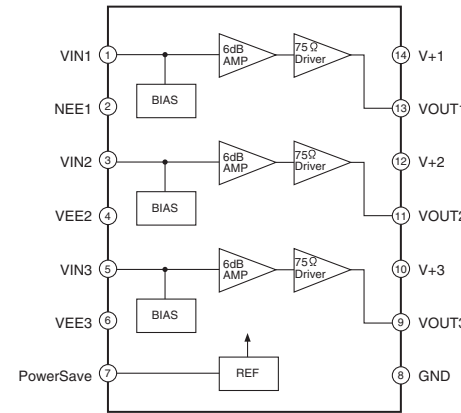
EXTERNAL I/O PORT



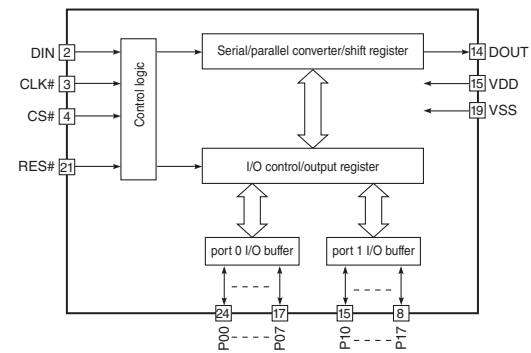
**IC307: TC74HC4051AFEL**  
8-channel analog multiplexer/demultiplexer



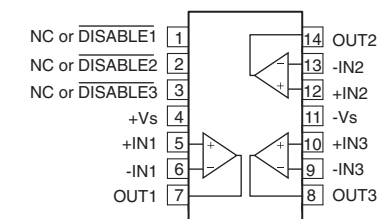
**IC306: NJM2581M**  
Video amplifier



**IC308: LC709004A-TLM-E**  
I/O-expander for microcontroller



**IC310: FHP3350IM14X**  
Triple voltage feedback amplifier



To Digital

**VIDEO (1)**

**VIDEO (1)**

CVBS COMPONENT SEL  
301~319  
3001~3199

- ★ All voltages are measured with a 10MΩ/V DC electronic voltmeter.
- ★ Components having special characteristics are marked Δ and must be replaced with parts having specifications equal to those originally installed.
- ★ Schematic diagram is subject to change without notice.

- 電圧は、内部抵抗 10MΩの電圧計で測定したものです。
- Δ印のある部品は、安全性確保部品を示しています。部品の交換が必要な場合、パーツリストに記載されている部品を使用してください。
- 本回路図は標準回路図です。改良のため予告なく変更することがあります。

A	B
C	D

A	B
C	D

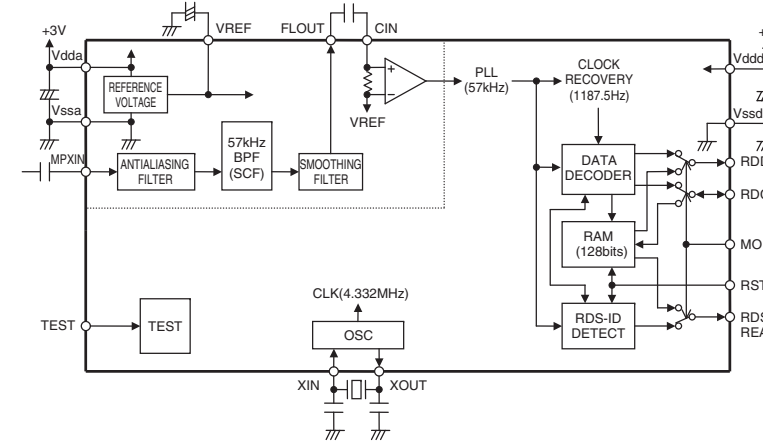
RX-V467/HTR-4063

VIDEO 2/3

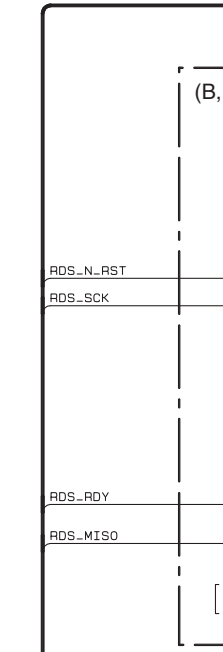
Destination Part List

sXX	LOC	J	UC	RS	T	A	BGF	L	K
s201	IC321	X	X	X	X	X	XB235A0 LC72725KM-UY-TL	X	X
s202	XL321	X	X	X	X	X	V273110 4.332MHZ	X	X
s203	C3201 C3203	X	X	X	X	X	US06127 27P(CH)	X	X
s204	C3205 C3204 C3209	X	X	X	X	X	US13510 0.1/16	X	X
s205	R3201 R3203	X	X	X	X	X	RD35510 100	X	X
s206	C3202	X	X	X	X	X	URB3710 10/16	X	X
s207	C3206	X	X	X	X	X	US06256 560P(SL)	X	X
s208	R3202	X	X	X	X	X	RD35651 5.1K	X	X
s209	C3207 C3208	X	X	X	X	X	US06233 330P(SL)	X	X
s210	R3204	X	X	X	X	X	RD35722 22K	X	X
s211	R3205	X	X	X	X	X	RD35633 3.3K	X	X
s212	Q3201	X	X	X	X	X	IC17402 C1740S(R/S)	X	X
s213	R3206	X	X	X	X	X	RD35810 100K	X	X
s214	R3207	X	X	X	X	X	RD35733 33K	X	X
s215	R3208	X	X	X	X	X	HV75568 680	X	X
s216	D3201	X	X	X	X	X	VG43610 MTZJ3.3B	X	X
s217	C3211	X	X	X	X	X	UR23747 47/16	X	X
s281	TE342	WK56100 MST-207V1-01	WK56100 MST-207V1-01	WK56100 MST-207V1-01	WK56100 MST-207V1-01	WK56100 MST-207V1-01	WK56110 MST-207V1-01	WK56110 MST-207V1-01	WK56110 MST-207V1-01
s282	TE341	WK56080 MST-204V1-01	WK56080 MST-204V1-01	WK56080 MST-204V1-01	WK56080 MST-204V1-01	WK56080 MST-204V1-01	WK56090 MST-204V1-01	WK56090 MST-204V1-01	WK56090 MST-204V1-01
s292	R3350	X	X	HF45622 2.2K	X	X	X	X	X
s293	D3350	X	X	VU17280 UDZ512B	X	X	X	X	X

IC321: LC72725KM-UY-TLM-E  
RDS signal demodulation IC



TRIGGER & TUNER  
320~329  
3200~3299



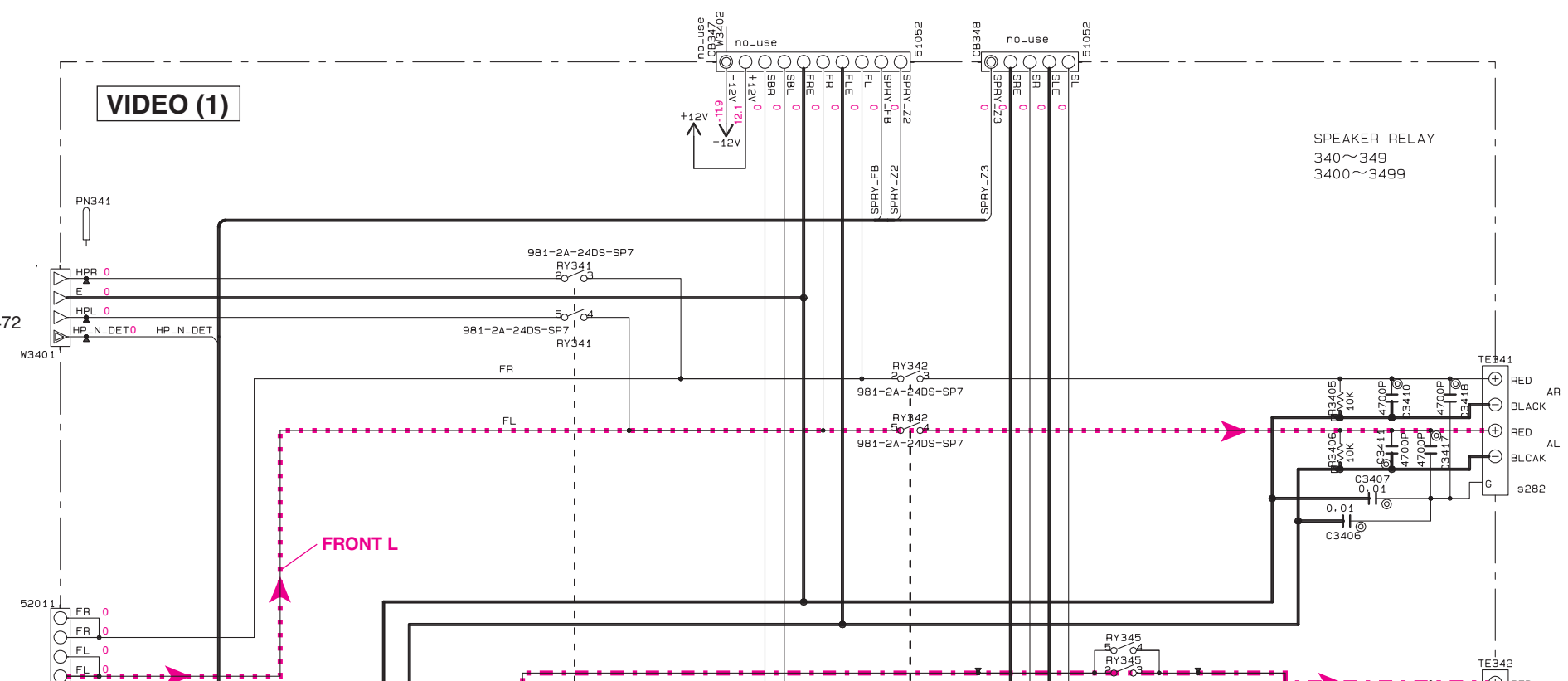
4

VIDEO (1)

Page 97 M5  
to OPERATION (3)\_CB472

5

Page 99 H5  
to MAIN (1)\_CB101



FRONT L/R

SPEAKERS

H

I

J

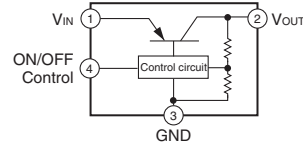
K

L

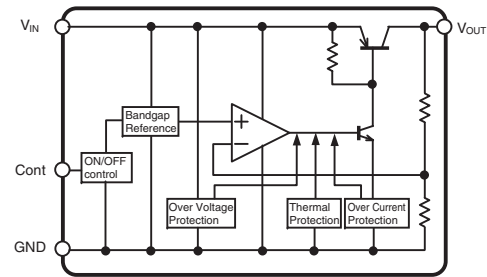
M

N

**IC331: NJM2396F05**  
Low dropout voltage regulator with ON/OFF control



**IC334: NJM2388F05**  
Low dropout voltage regulator with ON/OFF control

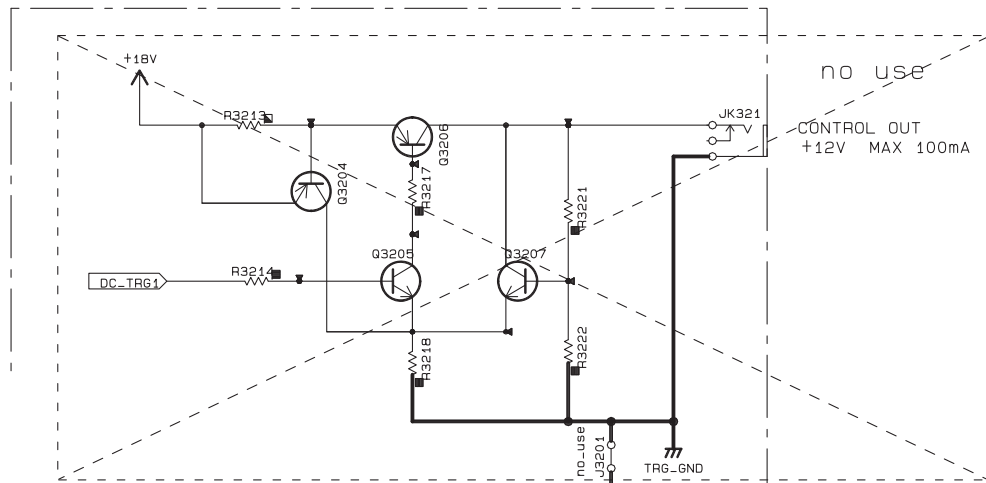
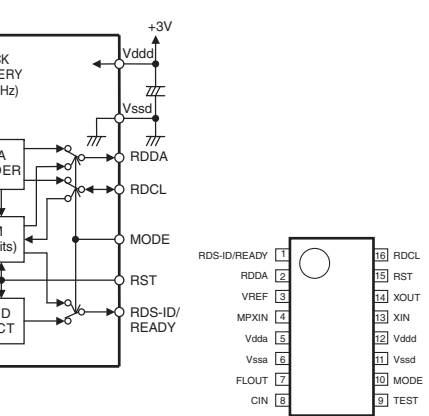


NOTICE (model)

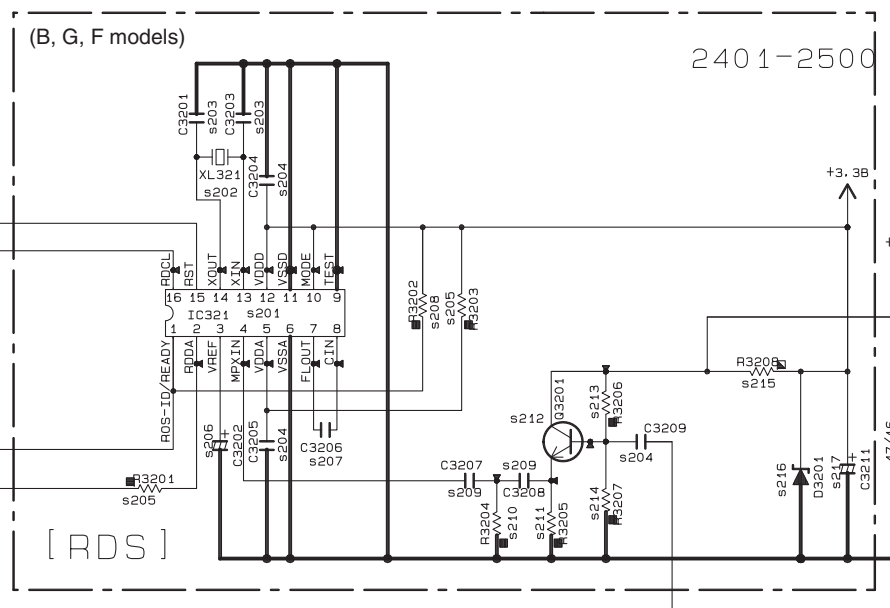
- (J)..... JAPAN
- (U)..... U.S.A
- (C)..... CANADA
- (R)..... GENERAL
- (T)..... CHINA
- (K)..... KOREA
- (A)..... AUSTRALIA
- (B)..... BRITISH
- (G)..... EUROPE
- (L)..... SINGAPORE
- (E)..... SOUTH EUROPE
- (V)..... TAIWAN
- (F)..... RUSSIAN
- (P)..... LATIN AMERICA
- (S)..... BRAZIL

REMARKS	PARTS NAME
NO MARK	CARBON FILM RESISTOR (P=5)
□	CARBON FILM RESISTOR (P=10)
△	METAL OXIDE FILM RESISTOR
▲	METAL FILM RESISTOR
⊠	METAL PLATE RESISTOR
⊞	FIRE PROOF CARBON FILM RESISTOR
□	CEMENT MOLDED RESISTOR
⊕	SEMI VARIABLE RESISTOR
■	CHIP RESISTOR

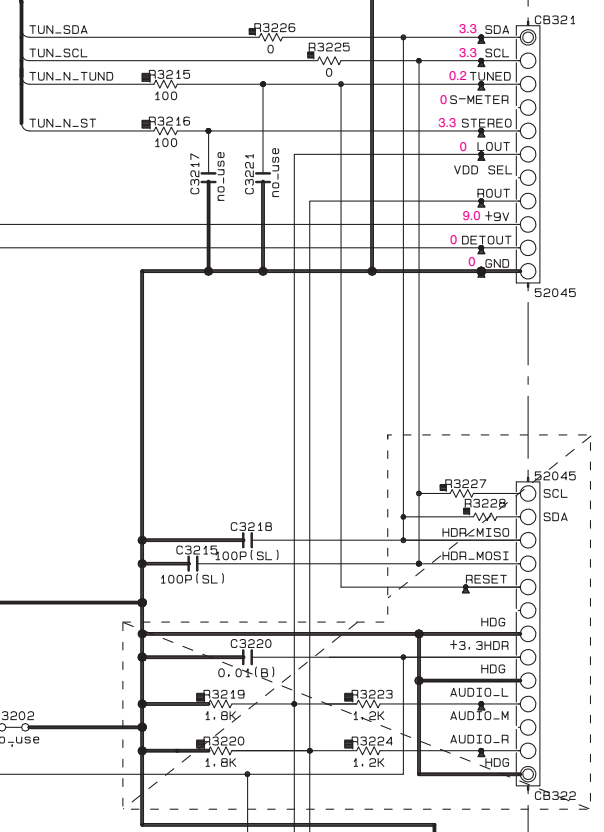
REMARKS	PARTS NAME
NO MARK	ELECTROLYTIC CAPACITOR
⊗	TANTALUM CAPACITOR
NO MARK	CERAMIC CAPACITOR
⊙	CERAMIC TUBULAR CAPACITOR
⊖	POLYESTER FILM CAPACITOR
○	POLYSTYRENE FILM CAPACITOR
⊕	MICA CAPACITOR
⊖	POLYPROPYLENE FILM CAPACITOR
●	SEMICONDUCTIVE CERAMIC CAPACITOR



VIDEO (1)

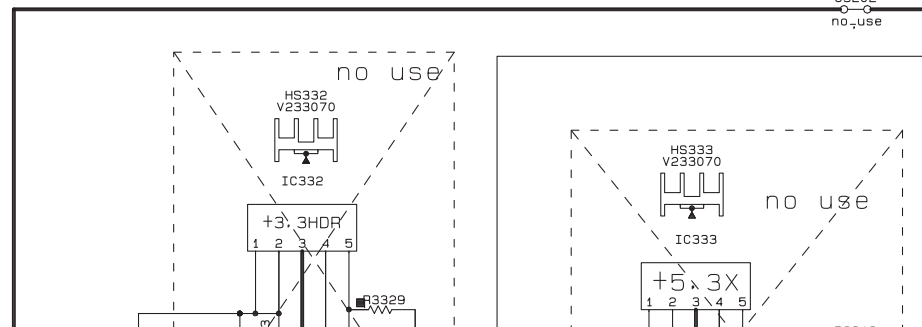


[Tuner]



To AM/FM TUNER  
to TUNER PACK

to HD RADIO



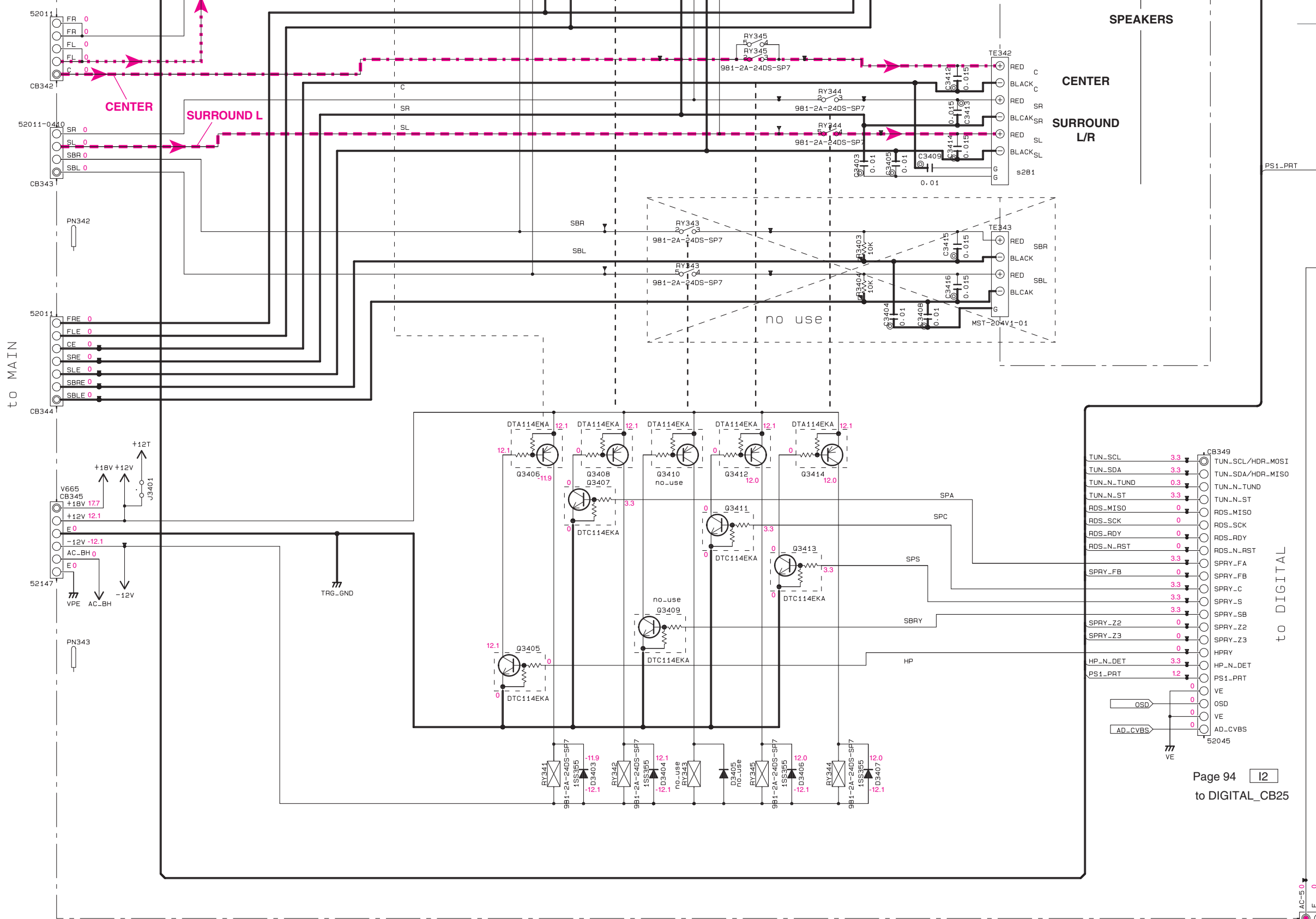
Page 99 H5  
to MAIN (1)\_CB101

Page 99 H4  
to MAIN (1)\_CB100

Page 99 H4  
to MAIN (1)\_CB102

Page 99 H9  
to MAIN (1)\_CB105

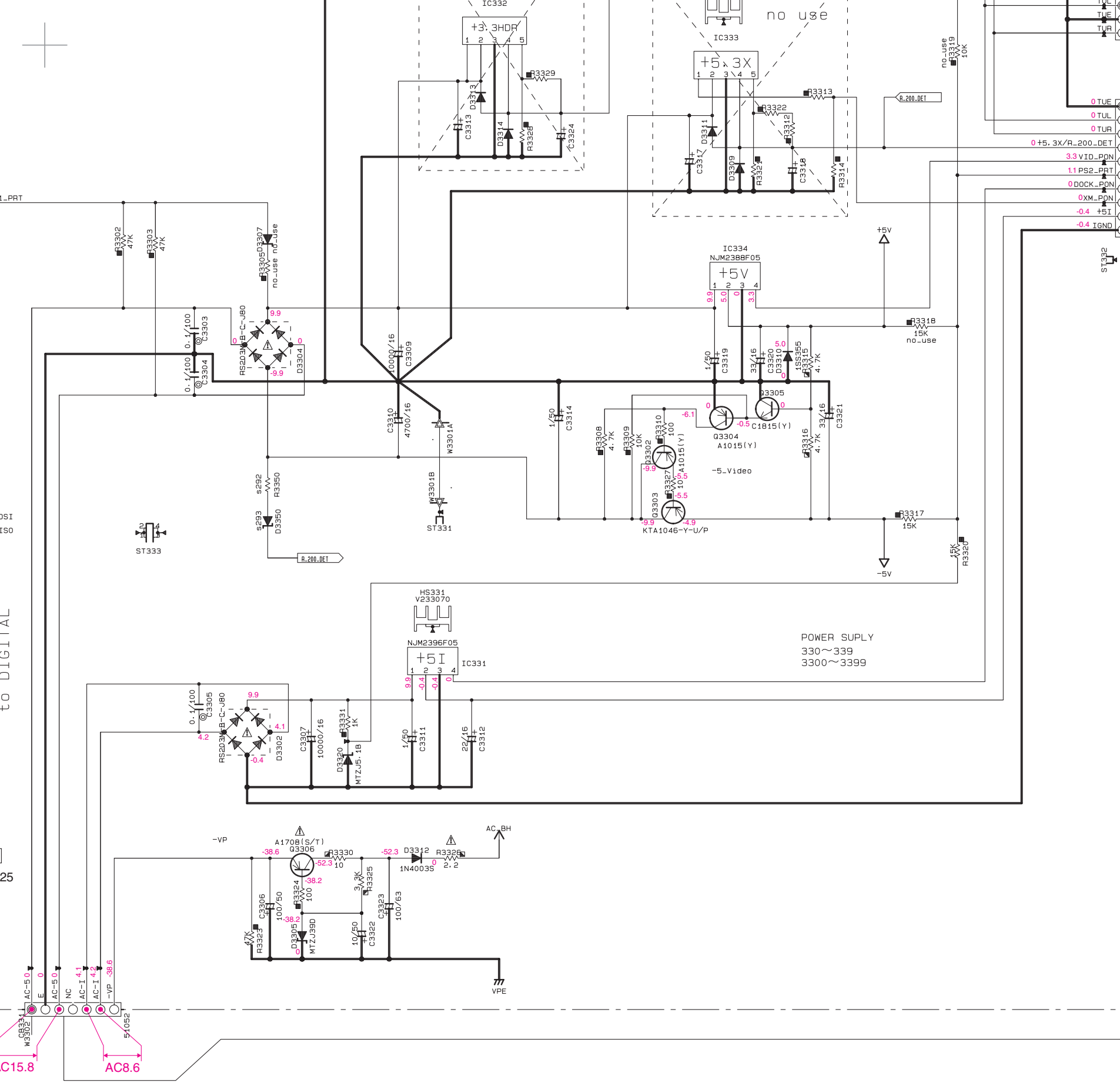
Page 94 I2  
to DIGITAL\_CB25



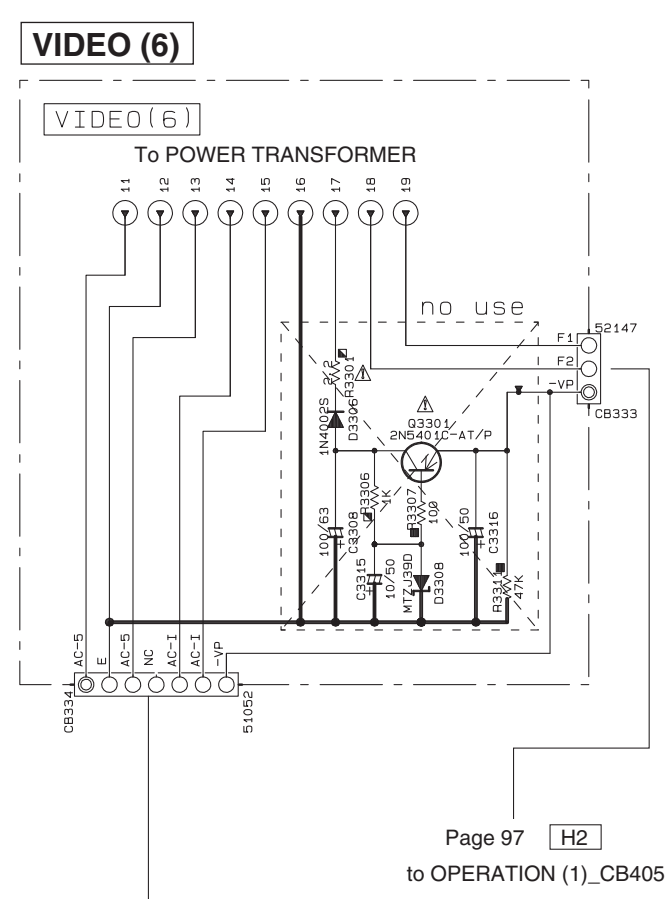
- ★ All voltages are measured with a 10MΩ/V DC electronic voltmeter.
- ★ Components having special characteristics are marked Δ and must be replaced with parts having specifications equal to those originally installed.
- ★ Schematic diagram is subject to change without notice.

- 電圧は、内部抵抗 10MΩの電圧計で測定したものです。
- Δ印のある部品は、安全性確保部品を示しています。部品の交換が必要な場合、パーツリストに記載されている部品を使用してください。
- 本回路図は標準回路図です。改良のため予告なく変更することがあります。

A	B
C	D



Page 98 K9  
to OPERATION (2)\_CB460

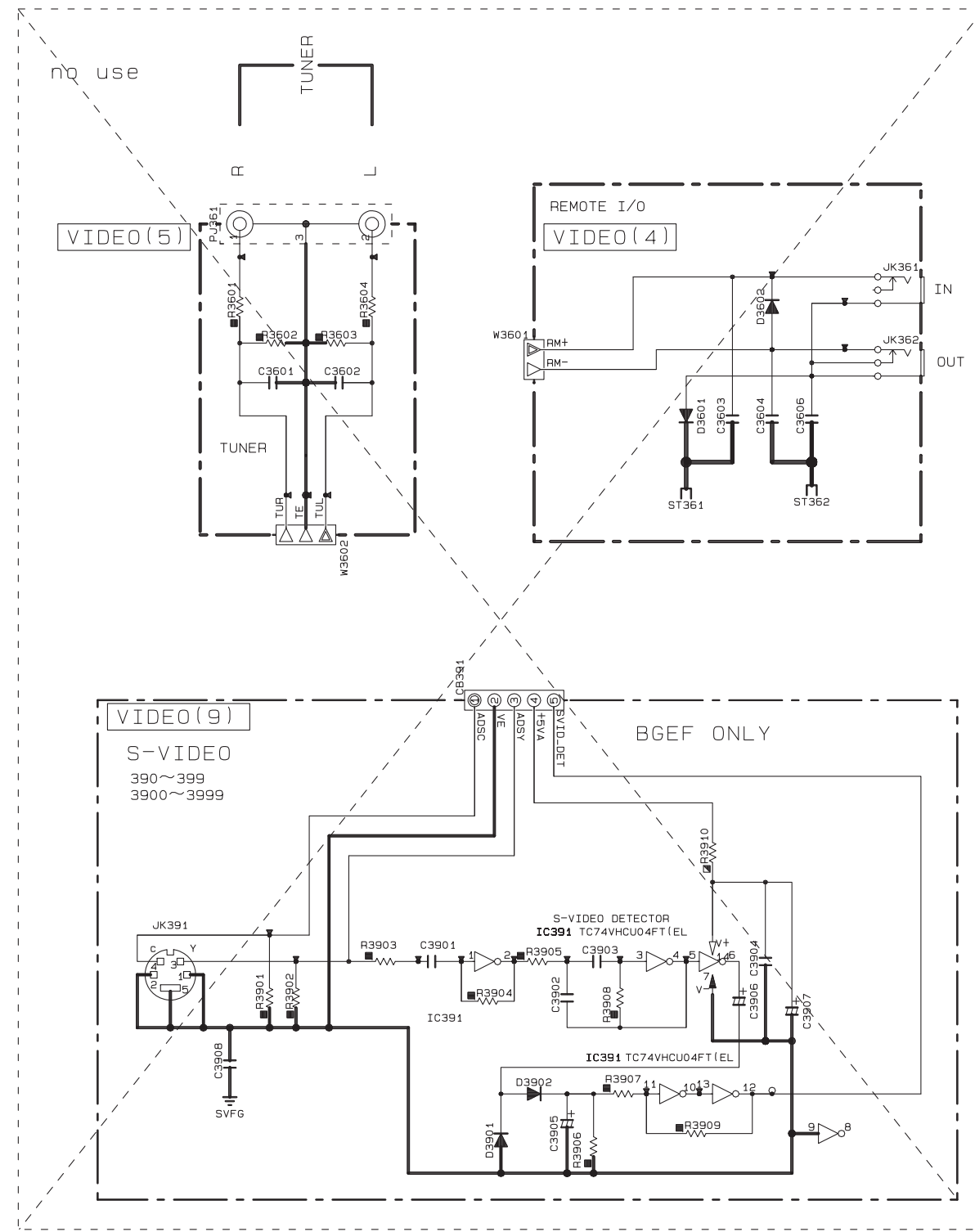


A	B
C	D



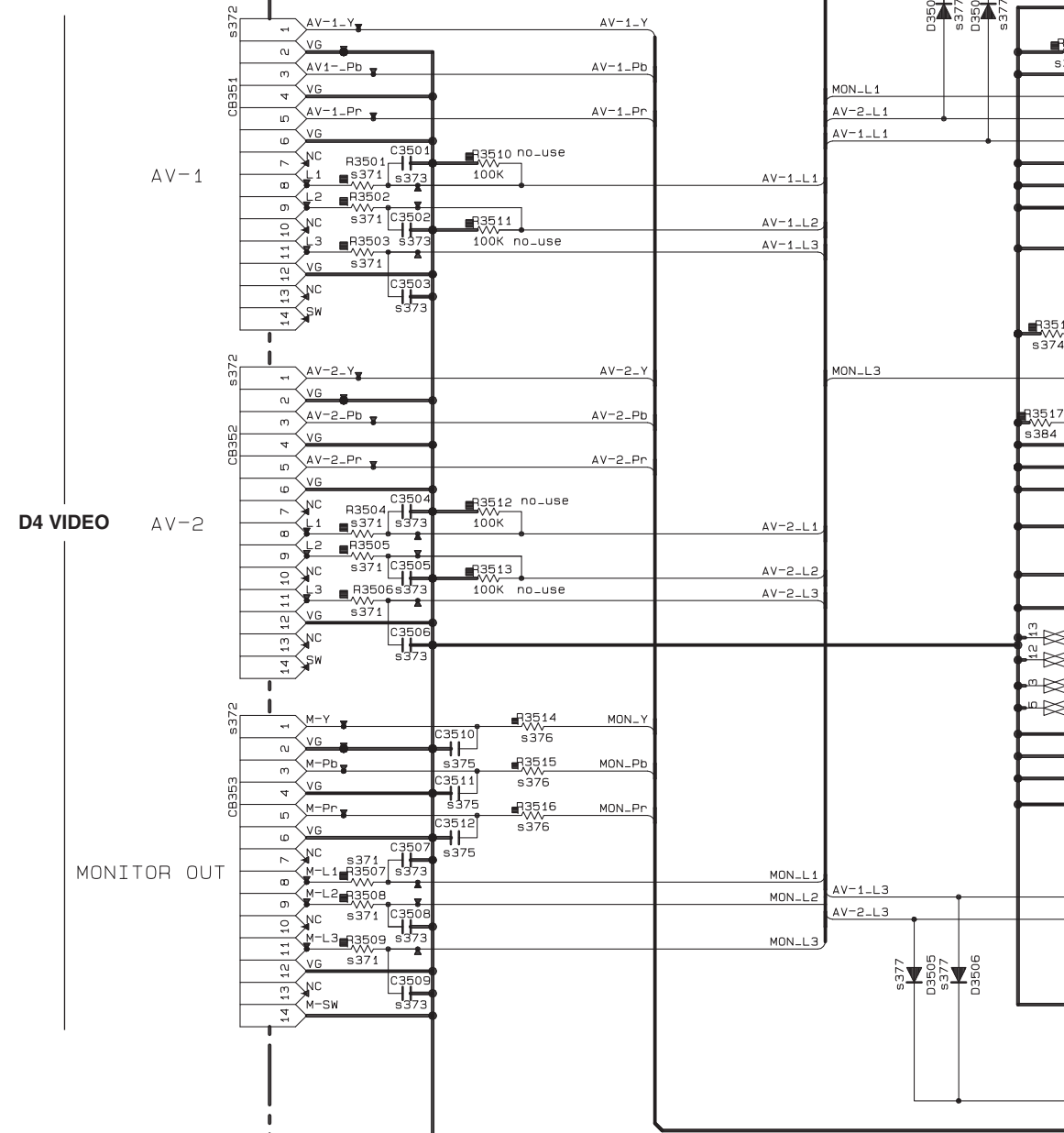
A	B
C	D

VIDEO 3/3



LINE SELECTOR

COMP_SEL	CBYAPASS	OUT
L	L	4B
L	H	AV
H	L	4B
H	H	AV



VIDEO(7)

VIDEO(7)

U, C, T, K, A, B, G, F, J models



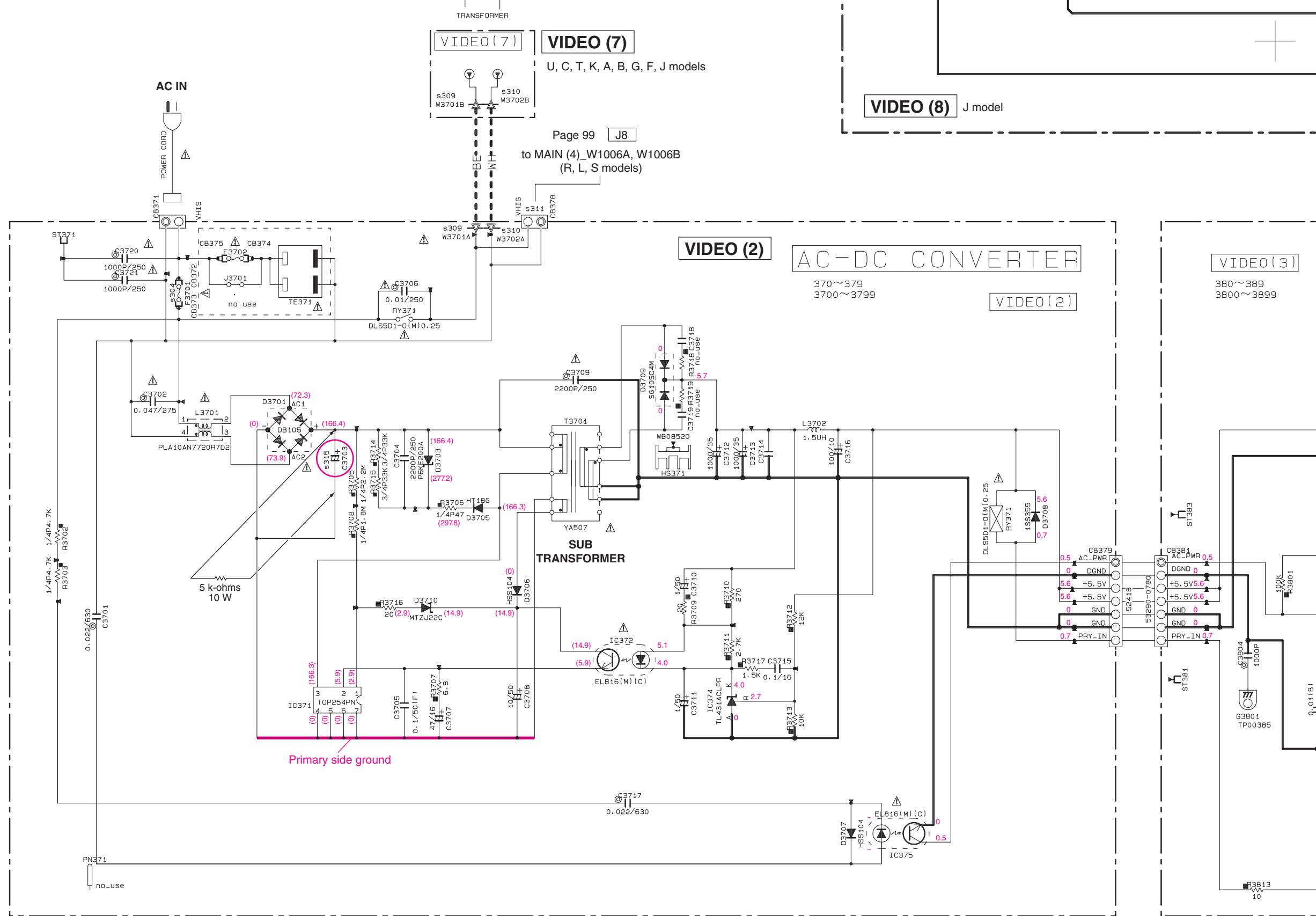
6

7

8

9

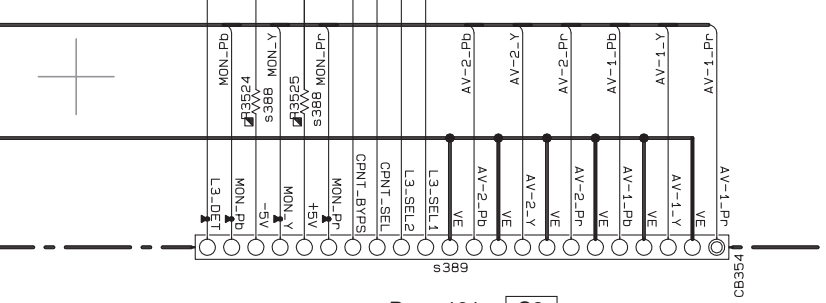
10



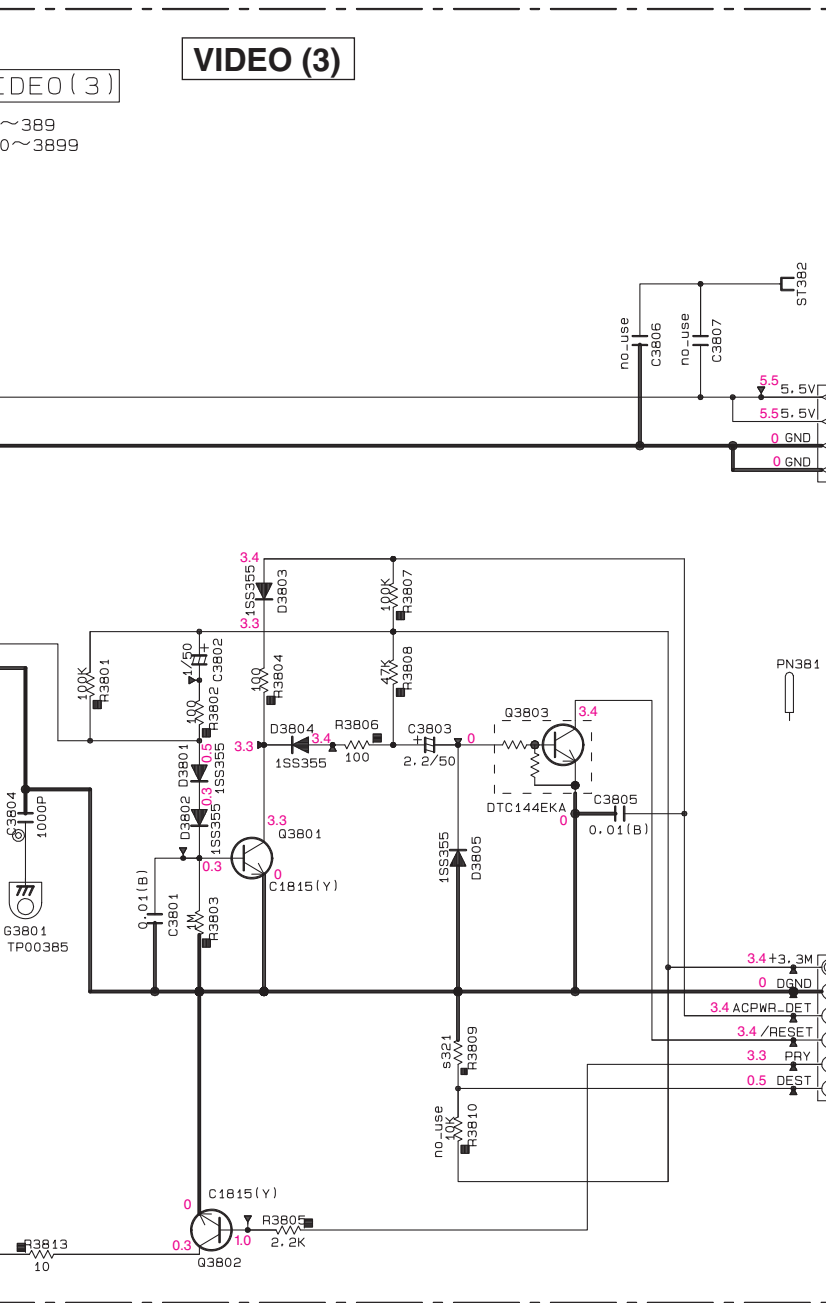
**Notes)**  
**Safety measures**  
 • Some internal parts in this product contain high voltages and are dangerous. Be sure to take safety measures during servicing, such as wearing insulating gloves.  
 • Note that positions indicated below are dangerous even after the power is turned off because an electric charge remains and a high voltage continues to exist there. Before starting any repair work, perform discharge by connecting a discharge resistor (5k-ohms/10W) between terminals at following positions. The time required for discharging is about 30 seconds.  
 C3703 on VIDEO (2) P.C.B.

**注意)**  
**安全対策**  
 • この製品の内部には高電圧部分があり危険です。修理の際は、絶縁性の手袋を使用してください。  
 • 下記箇所には電源を OFF にした後も電荷が残り、高電圧が維持されており危険です。修理作業前に放電用抵抗 (5 kΩ/10 W) を下記箇所の端子間に接続して放電してください。  
 VIDEO (2) P.C.B. の C3703

A	B
C	D



Page 101 C2  
to VIDEO (1)\_CB301



Page 93 M8  
to DIGITAL\_CB7

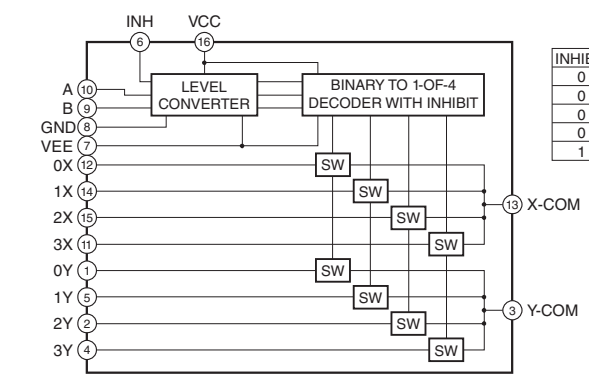
の手袋を使用するなどの安全対策を行ってください。  
ており危険です。  
して放電してください。放電所用時間は約 30 秒間です。

- ( T )..... CHINA
- ( K )..... KOREA
- ( A )..... AUSTRALIA
- ( B )..... BRITISH
- ( G )..... EUROPE
- ( L )..... SINGAPORE
- ( E )..... SOUTH EUROPE
- ( V )..... TAIWAN
- ( F )..... RUSSIAN
- ( P )..... LATIN AMERICA
- ( S )..... BRAZIL

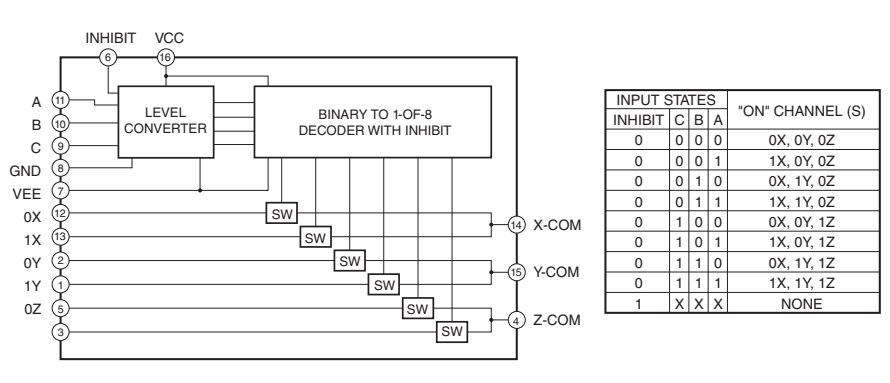
- △ METAL OXIDE FILM RESISTOR
- ⊠ METAL FILM RESISTOR
- ⊞ METAL PLATE RESISTOR
- ⊞ FIRE PROOF CARBON FILM RESISTOR
- CEMENT MOLDED RESISTOR
- ⊞ SEMI VARIABLE RESISTOR
- CHIP RESISTOR

- NO MARK CERAMIC CAPACITOR
- ⊙ CERAMIC TUBULAR CAPACITOR
- ⊙ POLYESTER FILM CAPACITOR
- POLYSTYRENE FILM CAPACITOR
- ⊙ MICA CAPACITOR
- ⊙ POLYPROPYLENE FILM CAPACITOR
- ⊙ SEMICONDUCTIVE CERAMIC CAPACITOR

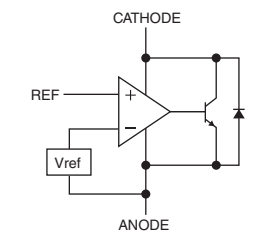
IC351, 352: TC74HC4052AF  
Analog multiplexer/demultiplexer



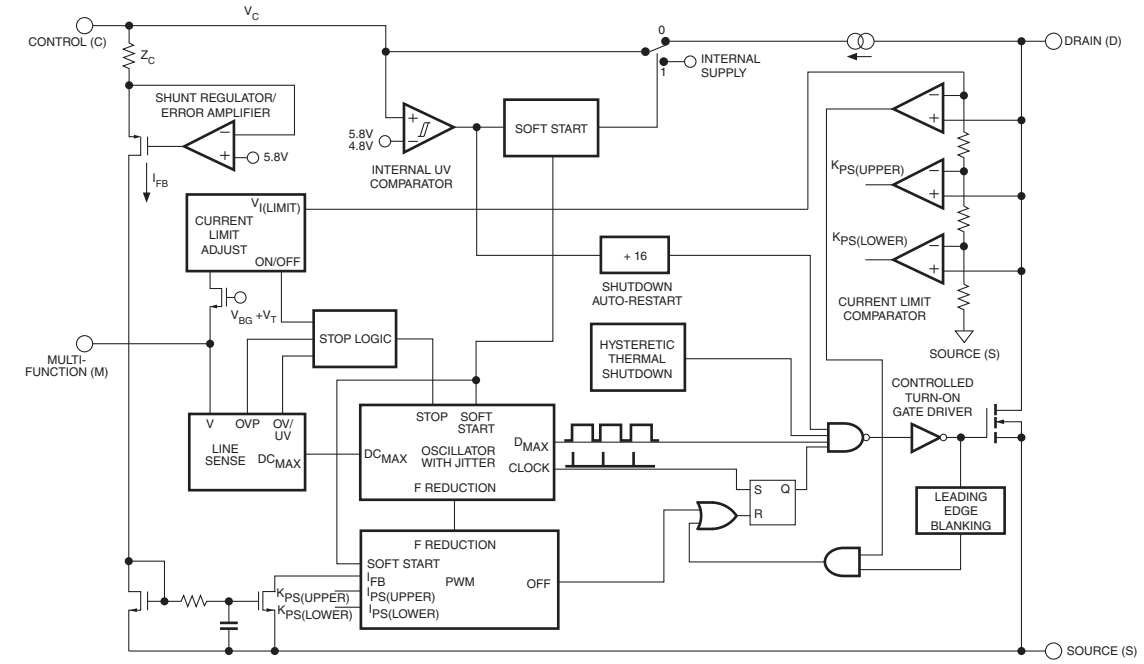
IC353: TC74HC4053AF  
Analog multiplexer/demultiplexer



IC374: TL431ACLPR  
Adjustable precision shunt regulators



IC371: TOP254PN  
TOPswitch-HX



- ★ All voltages are measured with a 10MΩ/V DC electronic voltmeter.
- ★ Components having special characteristics are marked △ and must be replaced with parts having specifications equal to those originally installed.
- ★ Schematic diagram is subject to change without notice.

- 電圧は、内部抵抗 10MΩの電圧計で測定したものです。
- △印のある部品は、安全性確保部品を示しています。部品の交換が必要な場合、パーツリストに記載されている部品を使用してください。
- 本回路図は標準回路図です。改良のため予告なく変更することがあります。

A	B
C	D